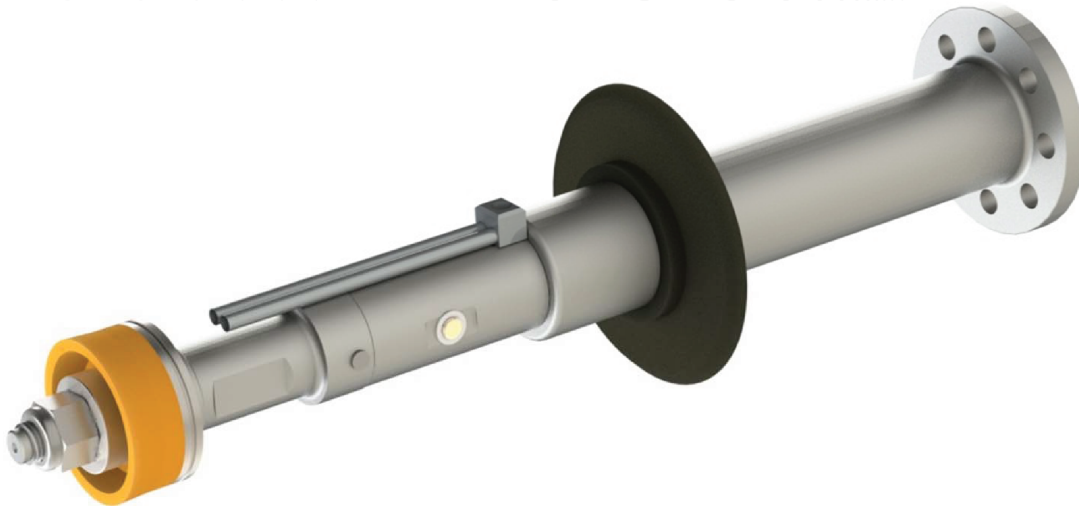


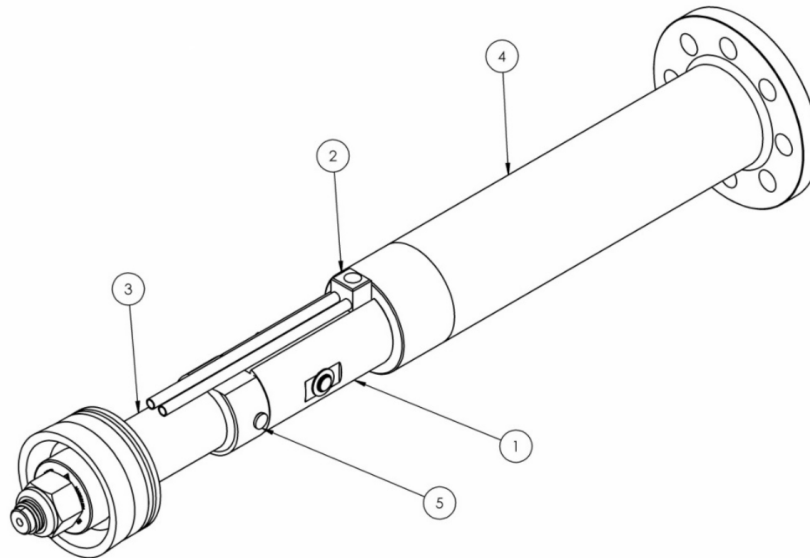
The Southwest Quick Change Piston Rod System (QCPR) is a piston rod system designed for triplex pumps that allows an individual to break down a piston rod in a matter of minutes without any special tools; only a standard socket wrench is required to both disassemble and make up the piston rod to the pony rod. When replacing the piston, simply turn the bronze screw 1/4 of a turn to de-energize the spring and loosen the connection between the piston rod and pony rod. Remove the 2 pins, thus allowing for the removal of the piston rod. After a new piston has been installed on the piston rod, install the 2 pins. Turn the bronze screw, 1/4 turn and the springs will be re-energized, and resume operations.



## DESIGN BENEFITS INCLUDE:

- No hydraulic system is required nor torque wrench
- Only a quarter turn is required to lock and unlock the QCPR rod lock.
- The QCPR rod lock is impossible to over-torque.
- The QCPR rod lock is interchangeable with other rod clamp replacement systems.
- Better Rod Alignment

Item Number	Part Number	Description
1	7600	QCRS ASSEMBLY ( LINK )
2	7601	SPRAY TUBE ASSEMBLY
2a	7601P	SPRAY TUBE ASSEMBLY (USED WITH P-QUIP PISTON ROD)
3	6284-3	PISTON ROD
4	32220300-47	PONY ROD
5	7600-19	CONNECTOR PIN



Part Number	Description
7690	3-PIECE ASSY (PONY ROD, LINK & PISTON ROD) w/PINS
7691	2-PIECE ASSY ( LINK & PISTON ROD )w/PINS
6284-3	PISTON ROD
7602	PISTON ROD PULLER
7603	PISTON ROD HOLDER
ESN1500-6	1-1/2"-6 ELASTIC STOP NUT
7604	BREAKER BAR & 1-1/8" SOCKET