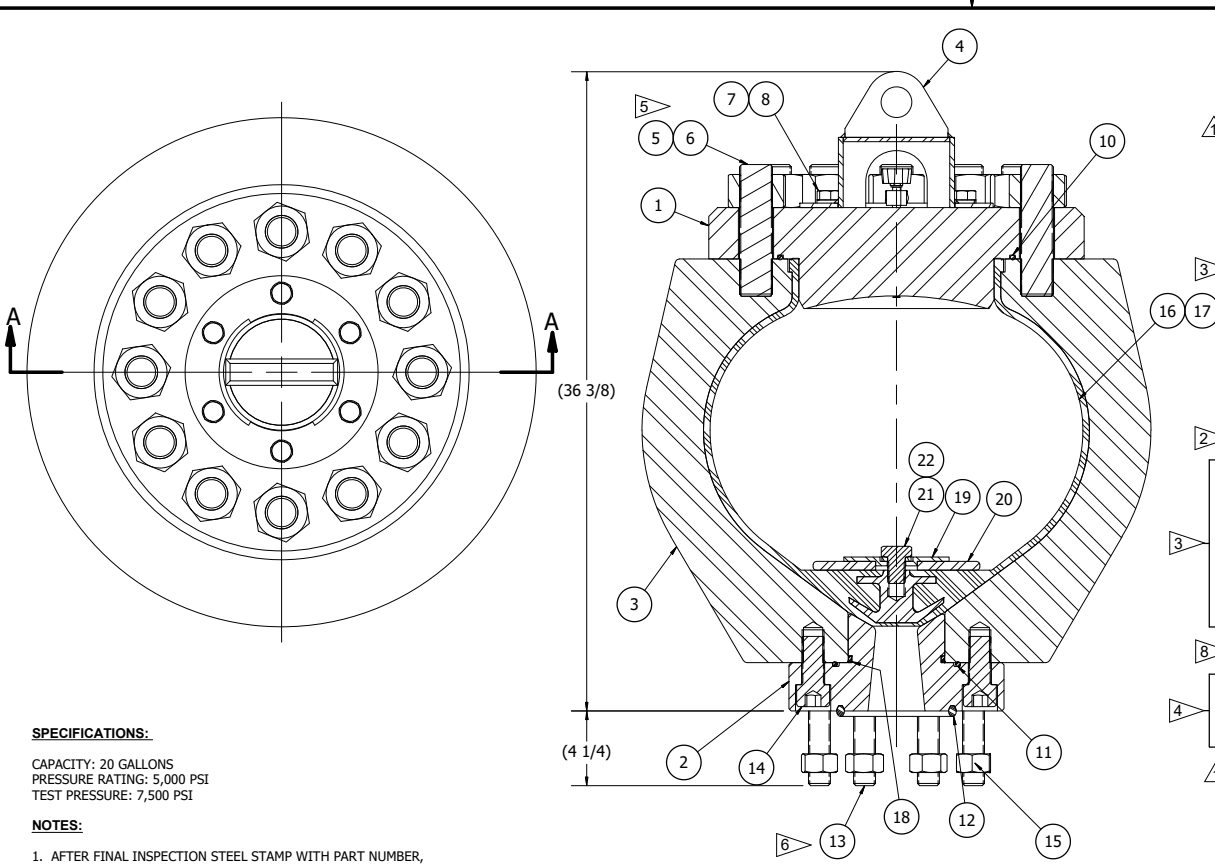


8 7 6 5 4 3 2 1

F
E
D
C
B
A



BILL OF MATERIALS				
ITEM	QTY	PART NUMBER	DESCRIPTION	WEIGHT
1	1	40640100	TOP FLANGE	330
2	1	42400200	BOTTOM FLANGE, 5000 PSI	77
3	1	42770300	BODY	1997
4	1	40640400	LIFTING LUG	14
5	12	203-0214	NUT, HEAVY HEX, BLK, 1-7/8-8 UNC	33
6	12	200-2229	STUD, ALL THREAD, BLK, 1 7/8-8 UN X 7.50 LG.	70
7	6	204-0330	WASHER, LOCK, ZP, 3/4	0
8	6	201-4672	CAPSCREW, HH, GR8, ZP, 3/4-10 UNC X 1.25 LG.	2
9	1	139-0042	PRESSURE GAUGE, 1/4" MNPT	0
10	1	129-0615	O-RING, 2-455	0
11	1	129-0607	O-RING, 2-440	0
12	1	ABCO-R39 316SS	API RING, R-39	1
13	8	200-2247	STUD, 1 1/4-7 UNC X 7" LG.	2
14	8	201-7825	CAPSCREW, HSH, BLK, 1 1/4-7 UNC X 2.75 LG.	14
15	8	203-0173	NUT, HEX, GR8, ZP, 1-1/4-7 UNC	5
16	REF	134-0271	PULSATION BLADDER KIT (REF. ONLY)	
17	1	134-0272	BLADDER	0
18	1	134-0273	BOTTOM PLATE GASKET	0
19	1	134-0274	STABILIZER PLATE	2
20	1	134-0275	STABILIZER	9
21	1	201-1873	CAPSCREW, HH, GR5, ZP, 1-8 UNC X 1.50 LG.	1
22	1	204-0332	WASHER, LOCK, ZP, 1	0
23	1	134-0690	GLOBAL VALVE, 3/4"	0
24	1	134-0706	CAP AND CHAIN FOR GLOBAL VALVE	
25	1	134-0697	CHARGING HOSE ASSEMBLY	
26	1	155-0010	AMERICAN BLOCK LOGO NAMEPLATE	
27	1	155-0008	NAMEPLATE, 5000 PSI PULSATION DAMPENER	
28	12	200-3401	#6 DRIVE SCREW	
29	1	155-0011	NAMEPLATE, PD20-5000	
30	1	134-1163	MINOR REBUILD KIT (REF. ONLY)	
TOTAL WEIGHT...				2,590 LBS.

SPECIFICATIONS:

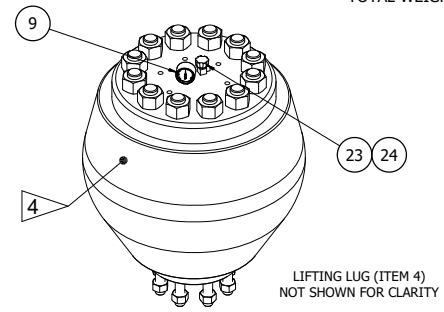
CAPACITY: 20 GALLONS
 PRESSURE RATING: 5,000 PSI
 TEST PRESSURE: 7,500 PSI

NOTES:

- AFTER FINAL INSPECTION STEEL STAMP WITH PART NUMBER, LATEST REV., & JOB NUMBER.
- ITEM 16 IS FOR REFERENCE ONLY. ITEM 16 CONSISTS OF ITEMS 9 & 17-24.
- ITEMS 9 & 17-24 ARE SHOWN FOR ORDERING INDIVIDUAL PARTS AS NEEDED.
- ITEMS 26-29 NOT SHOWN BUT TO BE INSTALLED AT ASSEMBLY IN THE GENERAL VICINITY WHERE MARKED.
- TORQUE ITEM 5 TO 3140 FT/LBS.
- TORQUE ITEM 13 TO 840 FT/LBS.
- HYDROSTATIC TEST PER PULSATION DAMPENER TESTING PROCEDURE, AP-8.
- ITEM 25 NOT SHOWN ON DRAWING AND IS ONLY TO BE USED WHEN CHARGING DAMPENER.
- ITEM 30 IS FOR REFERENCE ONLY. ITEM 30 CONSISTS OF ITEMS 17 & 19-22

SECTION A-A

BLADDER MATERIAL PART NUMBERS				
MATERIAL	BLADDER PN	REBUILD KIT PN	MINOR REBUILD KIT PN	ASSEMBLY #
URETHANE	134-0272	134-0271	134-1163	42400000
HYDROGENATED NITRILE (HSN)	134-0652	134-0653	134-1164	42400000-A
BUNA-N	134-0651	134-0654	134-1165	42400000-B



LIFTING LUG (ITEM 4)
 NOT SHOWN FOR CLARITY

IF IN DOUBT... ASK!

THIS DOCUMENT EMBODIES A CONFIDENTIAL PROPRIETARY DESIGN OF WHICH AMERICAN BLOCK COMPANY RETAINS ALL PATENT AND OTHER RIGHTS, INCLUDING EXCLUSIVE RIGHT OF MANUFACTURE AND SALE. THIS DOCUMENT IS SUBMITTED ONLY UNDER A CONFIDENTIAL RELATIONSHIP, AND MAY NOT BE COPIED, DISCLOSED, OR MADE PUBLIC KNOWLEDGE.

5969	1	CH'D P/N FOR BODY, ADDED NOTES & TABLE INFO	01/20	TLS	MSK	XX ± .015	125° ON MACHINED SURFACES	DRAWN BY: TLS	DATE: 05/18
-	0	INITIAL RELEASE	05/18	TLS	MSK	XXX ± .005	ALL DIMENSIONS ARE IN INCHES UNLESS NOTED	CHECKED: MSK	DATE: 05/18
ECN NO.	REV.	DESCRIPTION	DATE	CHANGE BY	APPROV BY	FRACTIONS ± 1/16	ANGLES ± 1/2°	APPROVED: MSK	DATE: 05/18

ASSEMBLY DETAILS		
PULSATION DAMPENER - 20 GALLON PNEUMATIC CHARGED, 5000 PSI		
SCALE: N.T.S.	42400000	SHEET 1 OF 1

8 7 6 5 4 3 2 1