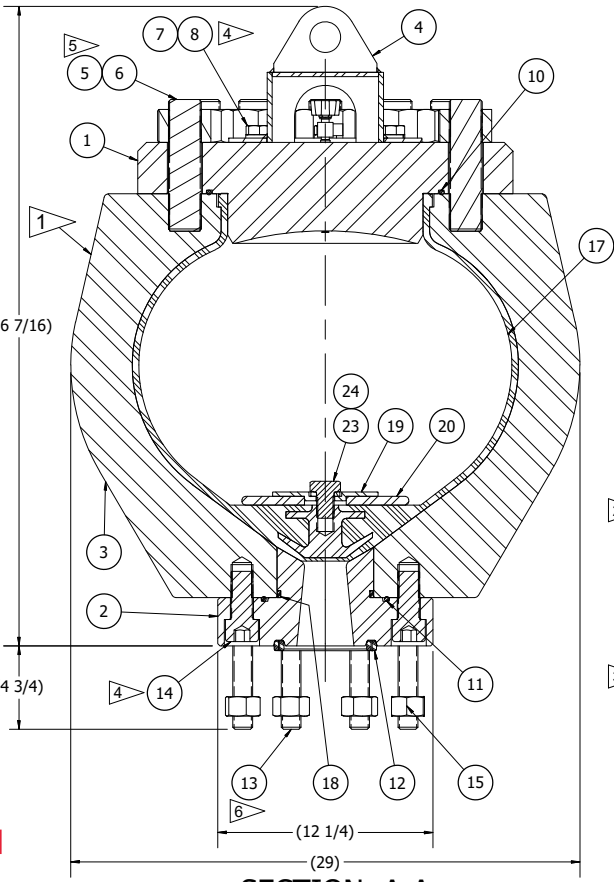
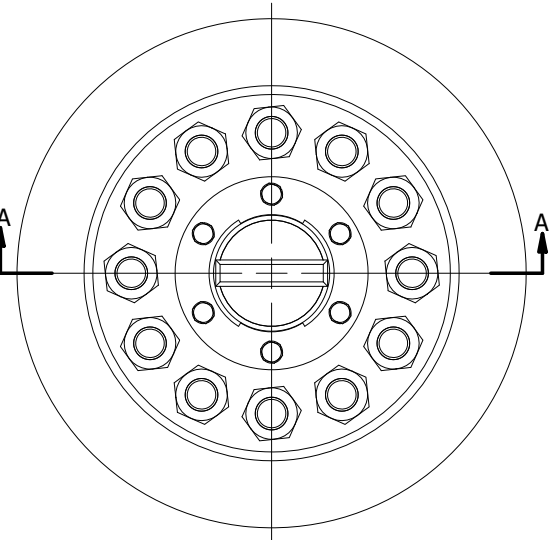


8 7 6 5 4 3 2 1

F  
E  
D  
C  
B  
A

F  
E  
D  
C  
B  
A

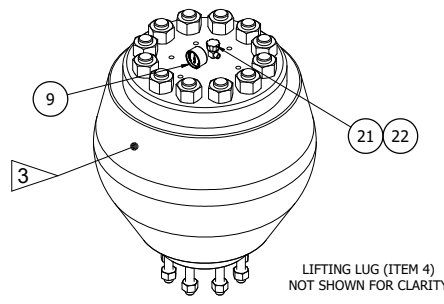


SECTION A-A

BILL OF MATERIALS

ITEM	QTY	PART NUMBER	DESCRIPTION	WEIGHT
1	1	40640100	TOP FLANGE	330
2	1	40960200	BOTTOM FLANGE	79
3	1	42770300	BODY	2000
4	1	40640400	LIFTING LUG	14
5	12	203-0214	NUT, HEAVY HEX, BLK, 1-7/8-8 UNC	33
6	12	200-2229	STUD, ALL THREAD, BLK, 1 7/8-8 UN X 7.50 LG.	70
7	6	204-0330	WASHER, LOCK, ZP, 3/4	0
8	6	201-4672	CAPSCREW, HH, GR8, ZP, 3/4-10 UNC X 1.25 LG.	2
9	1	139-0042	PRESSURE GAUGE, 1/4" MNPT	0
10	1	129-0615	O-RING, 2-455	0
11	1	129-0607	O-RING, 2-440	0
12	1	ABCOBX155LCS	GASKET, RTJ, LCS	1
13	8	123-0257	STUD, 1 1/8-7 UNC X 7.50 LG.	17
14	8	201-7825	CAPSCREW, HSH, BLK, 1 1/4-7 UNC X 2.75 LG.	14
15	8	203-0203	NUT, HEAVY HEX, BLK, 1-1/8-7 UNC	5
16	REF	134-0658	REBUILD KIT, 7500 PSI, URETHANE	0
17	1	134-0272	BLADDER, URETHANE	20
18	1	134-0273	BOTTOM PLATE GASKET	0
19	1	134-0274	STABILIZER PLATE	2
20	1	134-0275	STABILIZER	9
21	1	134-0691	GLOBAL VALVE, 3/4" MNPT	0
22	1	134-0707	CAP AND CHAIN FOR GLOBAL VALVE	0
23	1	201-1873	CAPSCREW, HH, GR5, ZP, 1-1/8-7 UNC	1
24	1	204-0332	WASHER, LOCK, ZP, 1	0
25	1	134-0698	CHARGING HOSE ASSEMBLY	0
26	1	155-0009	NAMEPLATE, 7500 PSI PULSATION DAMPENR	0
27	1	155-0010	NAMEPLATE, ABCO LOGO	0
28	1	155-0012	NAMEPLATE, PD20-7500	0
29	1	200-3401	SCREW, DRIVE, RD HD, #6 X 5/16, ZP	0
30	1	134-1163	MINOR REBUILD KIT (FOR REF ONLY)	0

TOTAL WEIGHT...2,560 LBS.



LIFTING LUG (ITEM 4)  
NOT SHOWN FOR CLARITY

SPECIFICATIONS:

CAPACITY: 20 GALLONS  
PRESSURE RATING: 7,500 PSI  
TEST PRESSURE: 11,250 PSI

NOTES:

- AFTER FINAL INSPECTION STEEL STAMP WITH PART NUMBER, SERIAL NUMBER, & JOB NUMBER.
- ITEM 16 IS FOR REFERENCE ONLY. ITEM 16 CONSISTS OF ITEMS 9 & 17-24.
- ITEMS 26-29 NOT SHOWN BUT TO BE INSTALLED AT ASSEMBLY IN THE GENERAL VICINITY WHERE MARKED.
- REFER TO AP PROCEDURE 25 "BOLTING TORQUE VALUES" WHEN TIGHTENING INDICATED BOLTS
- TORQUE ITEM 5 TO 3140 FT/LBS.
- ASSEMBLE ITEM 13 ON Ø10 3/16 BOLT CIRCLE. TORQUE TO 596 FT/LBS.
- HYDROSTATIC TEST PER PULSATION DAMPENR TESTING PROCEDURE, AP-8.
- ITEM 25 NOT SHOWN ON DRAWING AND IS ONLY TO BE USED WHEN CHARGING DAMPENR.
- ITEM 30 IS FOR REFERENCE ONLY. ITEM 30 CONSISTS OF ITEMS 17, 19, 20 23 & 24

IF IN DOUBT... ASK!

THIS DOCUMENT EMBODIES A CONFIDENTIAL PROPRIETARY DESIGN OF WHICH AMERICAN BLOCK COMPANY RETAINS ALL PATENT AND OTHER RIGHTS, INCLUDING EXCLUSIVE RIGHT OF MANUFACTURE AND SALE. THIS DOCUMENT IS SUBMITTED ONLY UNDER A CONFIDENTIAL RELATIONSHIP, AND MAY NOT BE COPIED, DISCLOSED, OR MADE PUBLIC KNOWLEDGE.

BLADDER MATERIAL PART NUMBERS				
MATERIAL	BLADDER PN	REBUILD KIT PN	MINOR REBUILD KIT PN	ASSEMBLY #
URETHANE	134-0272	134-0658	134-1163	40960000
HYDROGENATED NITRILE (HSN)	134-0652	134-0659	134-1164	40960000-A
BUNA-N	134-0651	134-1196	134-1165	40960000-B

6207	16	CORRECTED TYPO IN PART NUMBER OF ITEM 12	03/22	PS	MSK	TOLERANCES UNLESS SPECIFIED	DRAWN BY PS	DATE 05/11
6193	15	UPDATED PART NUMBER OF ITEM 12	01/22	PS	MSK	XX ± .015	CHECKED SRS	DATE 05/11
5969	14	CH'D P/N FOR BODY, ADDED NOTES & TABLE INFO	10/16	TLS	SRS	XXX ± .005	APPROVED SRS	DATE 05/11
ECN NO.	REV.	DESCRIPTION	DATE	CHANGE BY	APPROV BY	FRACTIONS ± 1/16	ANGLES ± 1/2	ALL DIMENSIONS ARE IN INCHES UNLESS NOTED DEBURR ALL SHARP CORNERS WITH 0.03R MAX.

ASSEMBLY DETAILS	
PULSATION DAMPENR - 20 GALLON	
PNEUMATIC CHARGED, 7500 PSI	
SCALE N.T.S.	40960000
SHEET 1	REV 16



8 7 6 5 4 3 2 1