

8

7

6

5

4

3

2

1

STUDED SUCTION MODULE IS 54179900 AND CONTAINS THE FOLLOWING:

ITEM	QTY	PART NUMBER	DESCRIPTION	WEIGHT
1	1	54170100	MODULE, SUCTION, MISSION " L ", 7500 PSI	1400
2	12	54170200	STUD, VALVE COVER, 1 1/2"-6	72
24	12	203-0209	NUT, HEAVY HEX, BLK, 1-1/2-6 UNC	17

BILL OF MATERIALS

ITEM	QTY	ABCO P/N	SWOP P/N	DESCRIPTION	WEIGHT
1	3	54170100	-	MODULE, SUCTION, MISSION " L ", 7500 PSI	4200
2	72	54170200	-	STUD, VALVE COVER, 1 1/2"-6	431
3	3	54170300	-	MODULE, DISCHARGE, MISSION " L ", 7500 PSI	9730
4	30	54050600	-	STUD, DISCHARGE TO FRAME, 1 3/8-6 X 7.25 LG	89
5	24	54170700	-	STUD, DISCHARGE TO SUCTION, 1 3/4"-8	393
6	6	54170800	-	RING, THREADED	1303
7	6	54170900	-	COVER, VALVE	541
8	6	54171100	-	RETAINER, SEAL	627
9	6	54051200	SW5710-115L	SPRING, VALVE	6
10	6	54171300	-	GUIDE, VALVE	41
11	6	54171400	-	BUSHING, GUIDE, VALVE	0
12	6	54051500	SWND-7V2	VALVE, API-7 FULL OPEN	79
13	6	54051600	SWND-7S12	SEAT, VALVE, ND-7	64
14	1	54171800-BAR	-	MANIFOLD, DISCHARGE, MISSION " L "	914
15	12	54171900	-	STUD, DISCHARGE MANIFOLD, 1 1/4"-8	44
16	3	Y70001915-99	Y70001915	PLATE, WEAR, INNER	12
17	3	Y70002010-99	Y70002010	PLATE, WEAR, OUTER	37
18	6	122-0162	-	SEAL, MODULE	0
19	6	122-0164	-	SEAL, RETAINER, VALVE	0
20	3	129-0338	-	O-RING, 3-1/2 OD X 3-1/8 ID, 2-338	0
21	12	201-8332	-	SHSCS, 1/2-13 X 1 1/4 LG	1
22	12	203-0206	-	NUT, HEAVY HEX, BLK, 1-1/4-8 UNC	10
23	30	203-0207	-	NUT, HEAVY HEX, BLK, 1-3/8-6 UNC	34
24	72	203-0209	-	NUT, HEAVY HEX, BLK, 1-1/2-6 UNC	105
25	24	203-0213	-	NUT, HEAVY HEX, BLK, 1-3/4-8 UNC	55
26	6	205-0671	-	PIN, DOWEL, .88 DIA. X 2 LG.	2

DETAIL '1'
SCALE: 2X

ASSEMBLY NOTES:

1. USE MOLY-BASED LUBRICANT ON ALL STUDS PRIOR TO ASSEMBLING AND APPLYING TORQUE.
2. TORQUE VALUES FOR FOLLOWING STUDS/NUTS:

- ITEM 22: 955 FT*LBS
- ITEM 23: 1245 FT*LBS
- ITEM 24: 1652 FT*LBS
- ITEM 25: 2856 FT*LBS

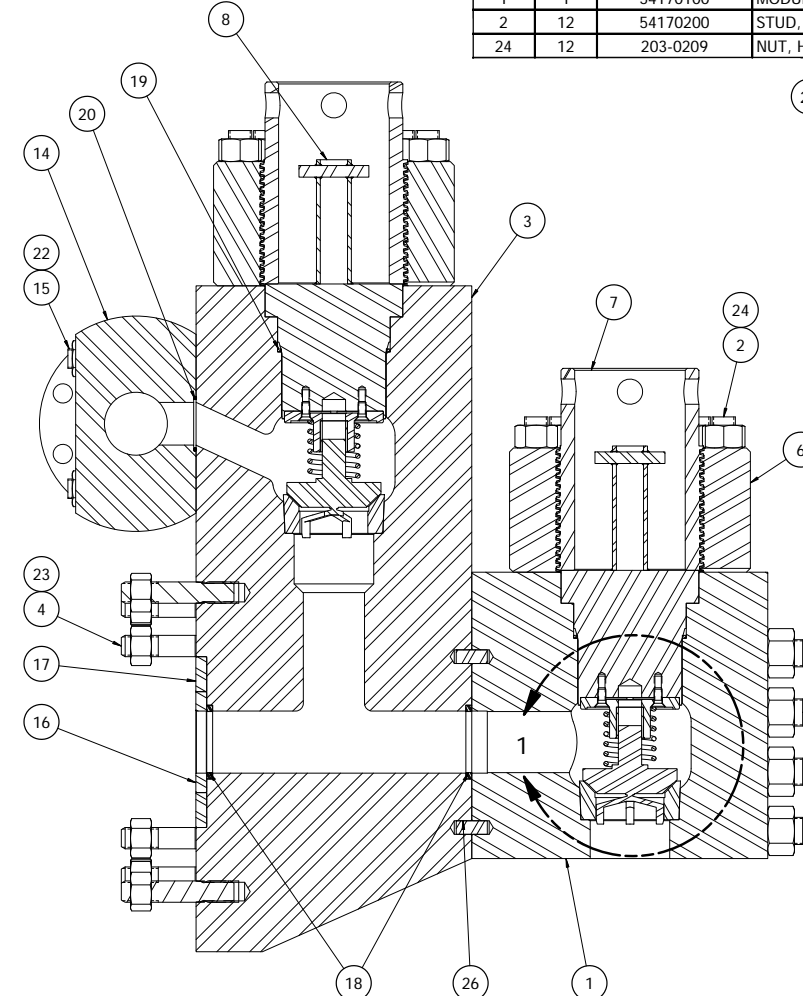
TOTAL WEIGHT: 18718 LBS

NOTE:

COMPLETE STUDED MODULES ARE AVAILABLE AS INDIVIDUAL ASSEMBLIES.

STUDED DISCHARGE MODULE IS 54179800 AND CONTAINS THE FOLLOWING:

ITEM	QTY	PART NUMBER	DESCRIPTION	WEIGHT
2	12	54170200	STUD, VALVE COVER, 1 1/2"-6	72
3	1	54170300	MODULE, DISCHARGE, MISSION " L ", 7500 PSI	3243
4	10	54050600	STUD, DISCHARGE TO FRAME, 1 3/8-6 X 7.25 LG	30
5	8	54170700	STUD, DISCHARGE TO SUCTION, 1 3/4"-8	131
15	4	54171900	STUD, DISCHARGE MANIFOLD, 1 1/4"-8	15
22	4	203-0206	NUT, HEAVY HEX, BLK, 1-1/4-8 UNC	3
23	10	203-0207	NUT, HEAVY HEX, BLK, 1-3/8-6 UNC	11
24	12	203-0209	NUT, HEAVY HEX, BLK, 1-1/2-6 UNC	17
25	8	203-0213	NUT, HEAVY HEX, BLK, 1-3/4-8 UNC	18
26	2	205-0671	PIN, DOWEL, .88 DIA. X 2 LG.	1



IF IN DOUBT... ASK!

THIS DOCUMENT EMBODIES A CONFIDENTIAL PROPRIETARY DESIGN OF WHICH AMERICAN BLOCK COMPANY RETAINS ALL PATENT AND OTHER RIGHTS, INCLUDING EXCLUSIVE RIGHT OF MANUFACTURE AND SALE. THIS DOCUMENT IS SUBMITTED ONLY UNDER A CONFIDENTIAL RELATIONSHIP, AND MAY NOT BE COPIED, DISCLOSED, OR MADE PUBLIC KNOWLEDGE.

ECN NO.	REV.	DESCRIPTION	DATE	CHANGE BY	APPROV BY	TOLERANCES UNLESS SPECIFIED	DRAWN BY	DATE	CHECKED BY	DATE	APPROVED BY	DATE
	0	INITIAL RELEASE	12/16	TLS	SRS	XXX ± .015 XXX ± .005 FRACTIONS ± 1/16	TLS	12/16	MSK	12/16	SRS	12/16

ASSEMBLY DETAILS
FLUID END, MISSION " L ", 7500 PSI, MODIFIED
K-1600 MUD PUMP

SCALE: N.T.S. 54320000 SHEET 1 OF 1 REV 0

American Block

8

7

6

5

4

3

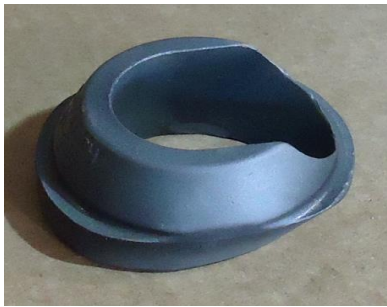
2

1

VALVES & SEATS 12-P-160 Mission "L" Style

TYPE	VALVE	INSERT	SPRING	STAINLESS SPRING	SEAT	PULLER HEAD	PULLER HEAD STYLE
SOUTHWEST (Full Open)	777-8B	N/A	941	N/A	877-8	SWTM4250	SPLIT JAW
FULL OPEN-ROUGHNECK (Cast N Place Insert)	SWND-7V2	N/A	SW5710-115L	N/A	SWND-7S12	SWND-7PH SWTM40-SN	PANCAKE SPLIT JAW
FULL OPEN-ROUGHNECK (High Temp)	SWND-7V2HC	N/A	SW5710-115L	N/A	SWND-7S12	SWND-7PH SWTM40-SN	PANCAKE SPLIT JAW
FULL OPEN-ROUGHNECK (w/Replaceable Urethane Insert)	SWND-7V1	SWND-7I	SW5710-115L	N/A	SWND-7S12	SWND-7PH SWTM40-SN	PANCAKE SPLIT JAW
3 WEB DOUBLE ANGLE O-RING	SWR0500110	SWR0514275	N/A	SWR0514790	SWR0514299	SWTM3-7T	3 J HOOK
3 WEB (High Temp)	SWR0520502	SWR0520501	N/A	SWR0514790	SWR0514299	SWTM3-7T	
3 WEB STANDARD PLATE	SWR0505062	SWR0504893	N/A	SWR0514423	SWR0514299	SWTM3-7T	
4 WEB	SWU5C-EEF	SWUDD-7B	SW5710-115	N/A	SW7DD-B12	SWTM4-7	4 J HOOK
4 WEB (High Temp)	SWU5C-EEFHT	SWUDD-7BHT	SW5710-115	N/A	SW7DD-B12	SWTM4-7	

PANCAKE



SPLIT JAW



3 J HOOK



4 J HOOK

