



SOUTHWEST OILFIELD PRODUCTS, INC. MUD PUMP EXPENDABLE PARTS LIST

SOUTHWEST/OEM 8482-25ALEW FLUID END FOR LEWCO W-2214 & W-2215

®

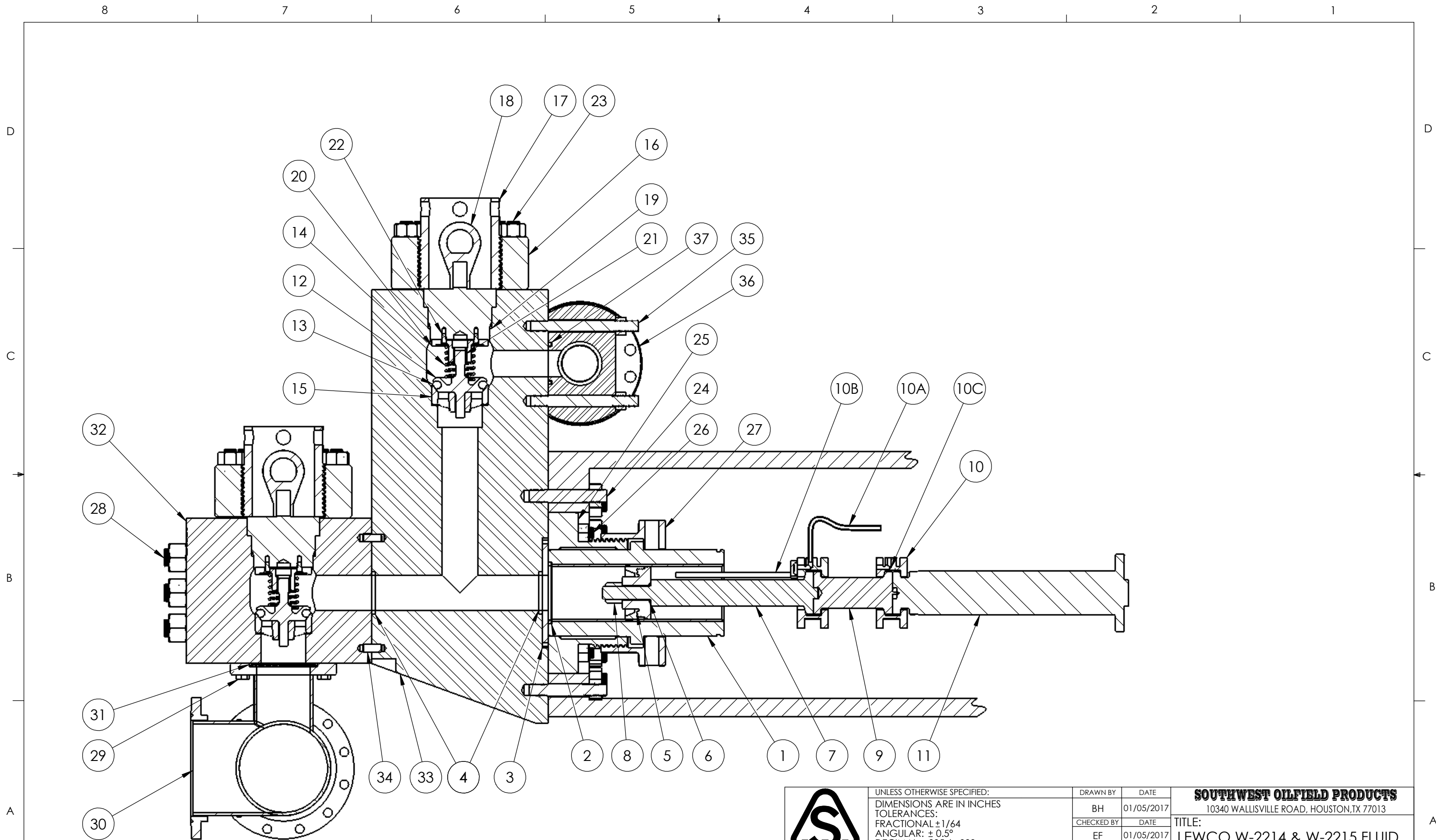
MUD PUMP PERFORMANCE CHART

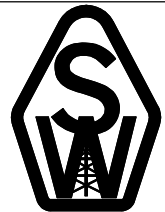
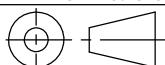
PUMP MODEL	MAX I.H.P.	MAX S.P.M.	STROKE LENGTH	LINER SIZE IN INCHES									
				5"	5 ½"	6"	6 ½"	7"	7 ½"	8"	8 ½"	9"	
W-2214	2200	110	14"	MAX-P.S.I.	7500	7142	6001	5114	4409	3841	3376	2990	2667
				G.P.R.	3.570	4.320	5.141	6.033	6.997	8.032	9.139	10.317	11.567
				G.P.M. @ 110 S.P.M.	392.70	475.20	565.51	663.63	769.67	883.52	1005.29	1134.87	1272.37
W-2215	2200	110	15"	MAX-P.S.I.	7500	6666	5601	4773	4115	3585	3151	2791	2489
				G.P.R.	3.825	4.628	5.508	6.464	7.497	8.606	9.792	11.054	12.93
				G.P.M. @ 110 S.P.M.	420.75	509.08	605.88	711.04	824.67	946.66	1077.12	1215.94	1422.30

NOTE: I.H.P.= INPUT HORSE POWER S.P.M.= STROKE PER MINUTE P.S.I.= POUNDS PER SQUARE INCH G.P.R.= GALLONS PER REVOLUTION

*MAX – P.S.I. CALCULATIONS DO NOT EXCEED MAXIMUM FLUID END PRESSURE RATINGS

BASED ON 100% VOLUMETRIC EFFICIENCY AND 90% MECHANICAL EFFICIENCY




 THIRD ANGLE PROJECTION 	UNLESS OTHERWISE SPECIFIED: DIMENSIONS ARE IN INCHES TOLERANCES: FRACTIONAL $\pm 1/64$ ANGULAR: $\pm 0.5^\circ$ DECIMAL $+0.005 / -0.000$ ALL FILLETS & RADII - $1/16$ MAX CHAMFERS $1/16 \times 45^\circ$ MAX SURFACE FINISH 125 RMS MAX CONCENTRICITY NOT TO EXCEED 0.005 T.I.R. BREAK SHARP CORNERS $1/32 \times 45^\circ$ MAX	DRAWN BY BH	DATE 01/05/2017	SOUTHWEST OILFIELD PRODUCTS 10340 WALLISVILLE ROAD, HOUSTON, TX 77013	
	CHECKED BY EF	DATE 01/05/2017	TITLE: LEWCO W-2214 & W-2215 FLUID END ASSEMBLY, SWFE, 7500 PSI		
	MATERIAL N/A	HEAT TREAT N/A	SIZE B	DWG. NO. 8482-25ALEW	REV. A
				SHEET 1 OF 1	

FLUID END TYPE	MODEL OF PUMP	SIZE OF PUMP
SOUTHWEST/OEM 7500 P.S.I.	LEWCO W-2214 & W-2215	9" X 14"

ITEM NO.	PART NO.	DESCRIPTION	QTY. REQ'D
	8482-25ALEW	FLUID END ASSEMBLY: (CONSISTS OF ITEMS: 3,4,16,17,18,19,20,21,22,23,24,25,26,27,28,32,33,34,35)	
1	6382GXX	LINER (REFER TO GUIDE FOR ORDERING CHART FOR TYPE (G); (Y); AND FOR BORE SIZE (XX))	3
2	2930-XX	LINER SEAL	3
3	8482-5	WEARPLATE	3
4	2988	WEARPLATE & MODULE SEAL (ALSO AVAILABLE IN URETHANE – PART# 2988U)	6
5	XX-BYY	PISTON (REFER TO GUIDE FOR ORDERING CHART FOR SIZE (XX) AND FOR TYPE (YY))	3
6	568-225	PISTON O-RING	3
7	7201-25	PISTON ROD (WITH ELASTIC STOP NUT) (LEWCO W-2215)	3
8	API-4ESN	PISTON ROD ELASTIC STOP NUT	3
9	7201-1	SUB ROD	3
10	7201CW	ROD CLAMP (CONSIST OF 10A, 10B, 10C)	6
10A	1200H30	HOSE	3
10B	1200160	PIPE	6
10C	4020-87	ROD CLAMP BOLT	6
11	7200G01	PONY ROD	3
12	SEE PAGE	VALVE	6
13	SEE PAGE	VALVE INSERT	6
14	SEE PAGE	VALVE SPRING	6
15	SEE PAGE	VALVE SEAT	6
	SWTM1700	HYDRAULIC SEAT PULLER KIT COMPLETE (REFER TO TOOLS SECTION IN CATALOG)	1
16	4476	THREADED FLANGE	6
17	4597	SCREW GLAND	6
18	4609-25A	PLUG (COMPLETE WITH VALVE GUIDE; BUSHING; AND SCREWS) INCLUDES ITEMS 20, 21, & 22	6
19	P119	HP VALVE COVER PLUG SEAL (P119U URETHANE SEAL AVAILABLE)	
20	4776R	VALVE GUIDE (COMPLETE WITH BUSHING #4700I)	
21	4700I	VALVE GUIDE BUSHING (4700IU URETHANE VALVE GUIDE AVAILABLE)	
22	4016-98	VALVE GUIDE SCREW	
23	4015-54*	VALVE COVER STUD (WITH SW PART# HHN1500-6 1 ½-6 HEAVY HEX NUT)(FOR USE ON SW MFG FLUID END) (FOR OEM MFG FLUID END SEE ITEM NO. 38)	
24	4020-26*	POWER END STUD (WITH SW PART# HHN1500-6 1 ½-6 HEAVY HEX NUT)(FOR USE ON SW MFG FLUID END) (FOR OEM MFG FLUID END SEE ITEM NO. 39)	

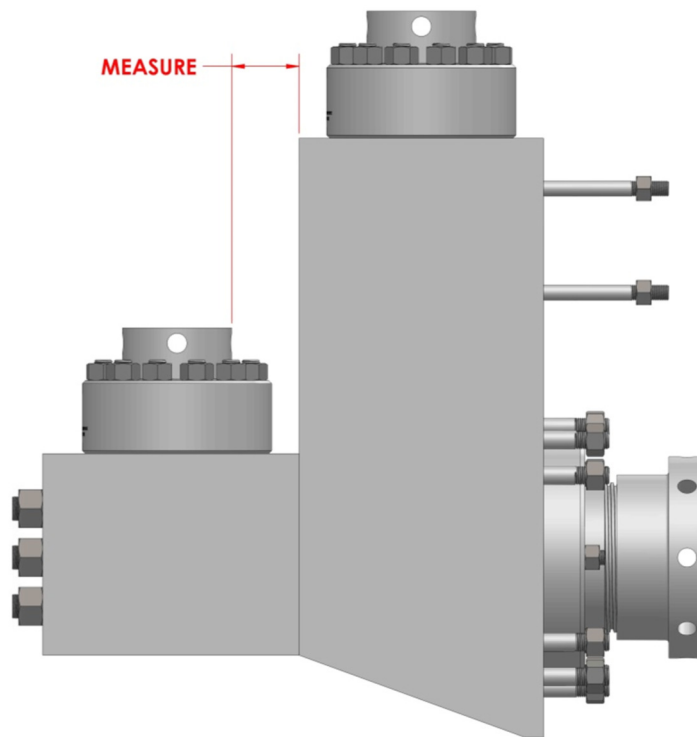
FLUID END TYPE	MODEL OF PUMP	SIZE OF PUMP
SOUTHWEST/OEM 7500 P.S.I.	LEWCO W-2214 & W-2215	9" X 14"

ITEM NO.	PART NO.	DESCRIPTION	QTY. REQ'D
25	6482	LINER RETAINER FLANGE	3
26	4015-52*	LINER RETAINER STUD (WITH SW PART# HHN1250-7 1 ¼-7 HEAVY HEX NUT)(FOR USE ON SW MFG FLUID END) (FOR OEM MFG FLUID END SEE ITEM NO. 40)	18
27	6582	LINER RETAINER NUT	3
28	4020-6	SUCTION MODULE STUD (WITH SW PART# HHN2000-8 2-8 HEAVY HEX NUT)	18
29	4018-19	SUCTION MANIFOLD CAP SCREW	24
30		SUCTION MANIFOLD	1
31	568-442	SUCTION MANIFOLD SEAL	3
32A	8482-26SLEW	SUCTION MODULE – (SEE INSTRUCTIONS FOR DISTINGUISHING BETWEEN THE OLD & NEW VERSION)	3
32B	8428-26S	SUCTION MODULE – (SEE INSTRUCTIONS FOR DISTINGUISHING BETWEEN THE OLD & NEW VERSION)	3
33	8482-27DLEW	DISCHARGE MODULE	3
34	8488-5	DOWEL PIN	6
35	4019-60*	DISCHARGE MANIFOLD STUD (WITH SW PART# HHN1250-7 1 ¼-7 HEAVY HEX NUT) (FOR USE ON SW MFG FLUID END) (FOR OEM MFG FLUID END SEE ITEM NO. 41)	18
36	8328-25	DISCHARGE MANIFOLD	1
37	2988 (SEE NOTE)	DISCHARGE MANIFOLD SEAL	3
		NOTE: THE 2988 DISCHARGE MANIFOLD SEAL IS USED WITH THE 8328-25 SW DISCHARGE MANIFOLD. USE PN 568-343 WHEN USING THE OEM DISCHARGE MANIFOLD.	
38	4016-51*	VALVE COVER STUD (WITH PART# HHN1500-6 1 ½-6 HEAVY HEX NUT) (FOR USE ON OEM MFG FLUID END)	72
39	4021-4*	POWER END STUD (WITH PART# HHN1500-6 1 ½-6 HEAVY HEX NUT) (FOR USE ON OEM MFG FLUID END)	30
40	4021-5*	LINER RETAINER STUD (WITH PART# HHN1250-7 1 ¼-7 HEAVY HEX NUT) (FOR USE ON OEM MFG FLUID END)	18
41	4021-3*	DISCHARGE MANIFOLD STUD (WITH PART# HHN1250-7 1 ¼-7 HEAVY HEX NUT) (FOR USE ON OEM MFG FLUID END)	18
		*OEM USES NON-TAPERLOCK STUDS, SW USES TAPERLOCK STUDS	
		** POLYURETHANE SEALS AVAILABLE**	


ISSUE DATE 01/14/2020	 SOUTHWEST OILFIELD PRODUCTS, INC.	PRODUCT BULLETIN SW-PB-116
INITIAL REL. DATE 01/20/2016		REVISION LEVEL B
SUBJECT: INSTRUCTIONS FOR DISTINGUISHING BETWEEN THE OLD AND NEW VERSION OF THE LEWCO W-2215 / W-2214 MODULE		PAGE 1 OF 2

There are two versions of this suction module currently in use. The difference between them is in the distance from the discharge module face to the centerline of the vertical bore in the suction module. This distance in the old module is 10" [254 mm]. In the new version this distance is 10-1/2" [266.7 mm]. If you try to run the old and the new version together, the suction manifold will not fit properly. This document will show how to identify the old and new version by measuring with a tape measure, with the valve cover assembly in place or removed.

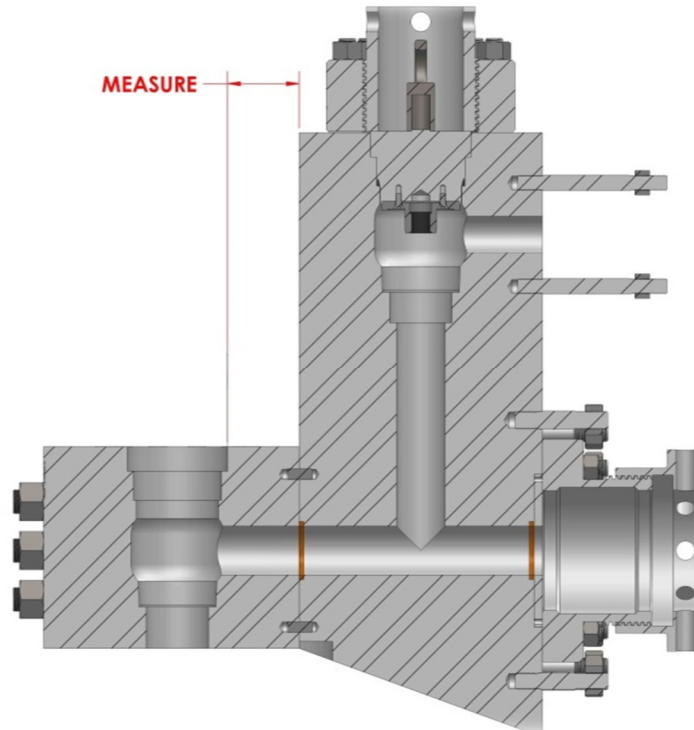
CASE-1: Valve cover assembly in place



Use a tape measure to measure the distance from the front face of the discharge module to the edge of the screw gland as shown above. If this distance is 5-1/2" [139.7 mm] the module is the old version (8482-26SLEW). If the distance is 6" [152.4 mm] the module is the new version (8428-26S).

ISSUE DATE 01/14/2020	 SOUTHWEST OILFIELD PRODUCTS, INC.	PRODUCT BULLETIN SW-PB-116
INITIAL REL. DATE 01/20/2016		REVISION LEVEL B
SUBJECT: INSTRUCTIONS FOR DISTINGUISHING BETWEEN THE OLD AND NEW VERSION OF THE LEWCO W-2215 / W-2214 MODULE		PAGE 2 OF 2

CASE-2: Valve cover assembly removed



Use a tape measure to measure the distance from the front face of the discharge module to the rear edge of the vertical bore of the suction module as shown above. If this distance is 5-7/8” [149.23 mm], the module is the old version (8482-26SLEW) and if it is 6-3/8” [161.93 mm], the module is the new version (8428-26S).

REVISION HISTORY

REV	ECN	DESCRIPTION	CREATED BY:	DATE:	CHECKED BY:	DATE:	APPROVED BY:	DATE:
A		INITIAL RELEASE	MG	01/20/2016	BH	01/20/2016	EF	01/20/2016
B	5739	CORRECTED DIMENSIONS ON SHEET 2.	JM	01/14/2020	EF	01/14/2020	SS	01/14/2020

THIS DOCUMENT, WHETHER CONTAINING PATENTABLE OR NON-PATENTABLE SUBJECT MATTER, EMBODIES THE PROPRIETARY AND CONFIDENTIAL INFORMATION OF SOUTHWEST OILFIELD PRODUCTS, INC. IT IS LOANED IN CONFIDENCE WITH THE UNDERSTANDING THAT IT WILL NOT BE REPRODUCED, USED OR DISCLOSED FOR ANY PURPOSE EXCEPT THE LIMITED PURPOSE FOR WHICH IT WAS LOANED. THIS DOCUMENT SHALL BE RETURNED TO SOUTHWEST OILFIELD PRODUCTS, INC. UPON DEMAND.



SOUTHWEST/OEM 7500 PSI LEWCO W-2214 & W-2215 GUIDE TO ORDERING

		PISTONS			LINERS		LINER GASKETS	
SIZE	FAIL-SAFE	DUAL-DURO®	BLACK CAT	GRAYLOY®	ZIRCONIA	RUBBER	URETHANE	
5"	81BFS	81BDD	81BBC	6382G1	6382ZIR1	2930-1	2930-1U	
5 1/4"	82BFS	82BDD	82BBC	6382G2		2930-2	2930-2U	
5 1/2"	83BFS	83BDD	83BBC	6382G3	6382ZIR3	2930-3	2930-3U	
5 3/4"	84BFS	84BDD	84BBC	6382G4		2930-4	2930-4U	
6"	85BFS	85BDD	85BBC	6382G5	6382ZIR5	2930-5	2930-5U	
6 1/4"	86BFS	86BDD	86BBC	6382G6		2930-6	2930-6U	
6 1/2"	87BFS	87BDD	87BBC	6382G7	6382ZIR7	2930-7	2930-7U	
6 3/4"	88BFS	88BDD	88BBC	6382G8		2930-8	2930-8U	
7"	89BFS	89BDD	89BBC	6382G9	6382ZIR9	2930-9	2930-9U	
7 1/4"	91BFS	91BDD	91BBC	6382G10		2930-10	2930-10U	
7 1/2"	92BFS	92BDD	92BBC	6382G11		2930-11	2930-11U	
7 3/4"				6382G12		2930-12	2930-12U	
8"	94BFS	94BDD	94BBC	6382G13		2930-13	2930-13U	

NOTE: DUAL-DURO® AND GRAYLOY® ARE REGISTERED TRADEMARKS OF SOUTHWEST® OILFIELD PRODUCTS.

VALVES & SEATS (LEWCO W-2214 & W-2215)

TYPE	VALVE	INSERT	SPRING	STAINLESS SPRING	SEAT	PULLER HEAD	PULLER HEAD STYLE
SOUTHWEST (Full Open)	777-8B	N/A	941	N/A	877-8	SWTM4250	SPLIT JAW
FULL OPEN-ROUGHNECK (Bonded Valve Insert)	SWND-7V2	N/A	SW5710-115L	N/A	SWND-7S12	SWTM40-SN SWND-7PH	SPLIT JAW PANCAKE
FULL OPEN-ROUGHNECK (High Temp)	SWND-7V2HC	N/A	SW5710-115L	N/A	SWND-7S12	SWTM40-SN SWND-7PH	SPLIT JAW PANCAKE
FULL OPEN-ROUGHNECK (w/Replaceable Urethane Insert)	SWND-7V1	SWND-7I	SW5710-115L	N/A	SWND-7S12	SWTM40-SN SWND-7PH	SPLIT JAW PANCAKE
3 WEB DOUBLE ANGLE O-RING	SWR0500110	SWR0514275	SWR0513744	SWR0514790	SWR0514299	SWTM3-7T	3 J HOOK
3 WEB (High Temp)	SWR0520502	SWR0520501	SWR0513744	SWR0514790	SWR0514299	SWTM3-7T	
3 WEB STANDARD PLATE	SWR0505062	SWR0504893	SWR0513937	SWR0511423	SWR0514299	SWTM3-7T	
4 WEB	SWU5C-EEF	SWUDD-7B	SW5710-115	N/A	SW7DD-B12	SWTM4-7	4 J HOOK
4 WEB (High Temp)	SWU5C-EEFHT	SWUDD-7BHT	SW5710-115	N/A	SW7DD-B12	SWTM4-7	

PANCAKE



SPLIT JAW



3 J HOOK



4 J HOOK





**TORQUE SPECIFICATIONS FOR 8482-25ALEW SOUTHWEST FLUID END ASSEMBLY
FOR LEWCO W-2214 & W-2215 7500 P.S.I.**

<u>PART NUMBER</u>	<u>DESCRIPTION</u>	TORQUE TYPE (EXPRESSED IN FOOT-POUNDS)	
		<u>COPPERCOTE</u>	<u>MOLY GREASE</u>
API-4ESN	PISTON ROD NUT	<i>NO MORE FORCE THAN ONE MAN ON A 3' WRENCH/CHEATER COMBINATION 150 MAXIMUM</i>	
4020-87	ROD CLAMP BOLT	188	282
4016-98	VALVE GUIDE SCREW	53	80
4015-54	VALVE COVER STUD	1208	1752
4020-26	POWER END STUD	1150	1668
4015-52	LINER RETAINER STUD	669	970
4020-6	SUCTION MODULE STUD	3463	5021
4019-60	DISCHARGE MANIFOLD STUD	757	1098



SOUTHWEST
OILFIELD PRODUCTS, INC.

**8482-25ALEW LEWCO W-2214 & W-2215
REVISION SUMMARY**

<u>REVISION</u>	<u>DATE</u>	<u>REASON OF CHANGE</u>
REV. A	01/05/2017	INITIAL RELEASE
REV. B	01/16/2020	UPDATED PRODUCT BULLETIN (pg. 5-6)
REV. C	07/22/2020	REVISED PARTS PAGE TO REMOVE W-2214 PART NUMBERS.