



SOUTHWEST OILFIELD PRODUCTS, INC. MUD PUMP EXPENDABLE PARTS LIST

SOUTHWEST 8432-A FLUID END FOR EWECO E-2200

®

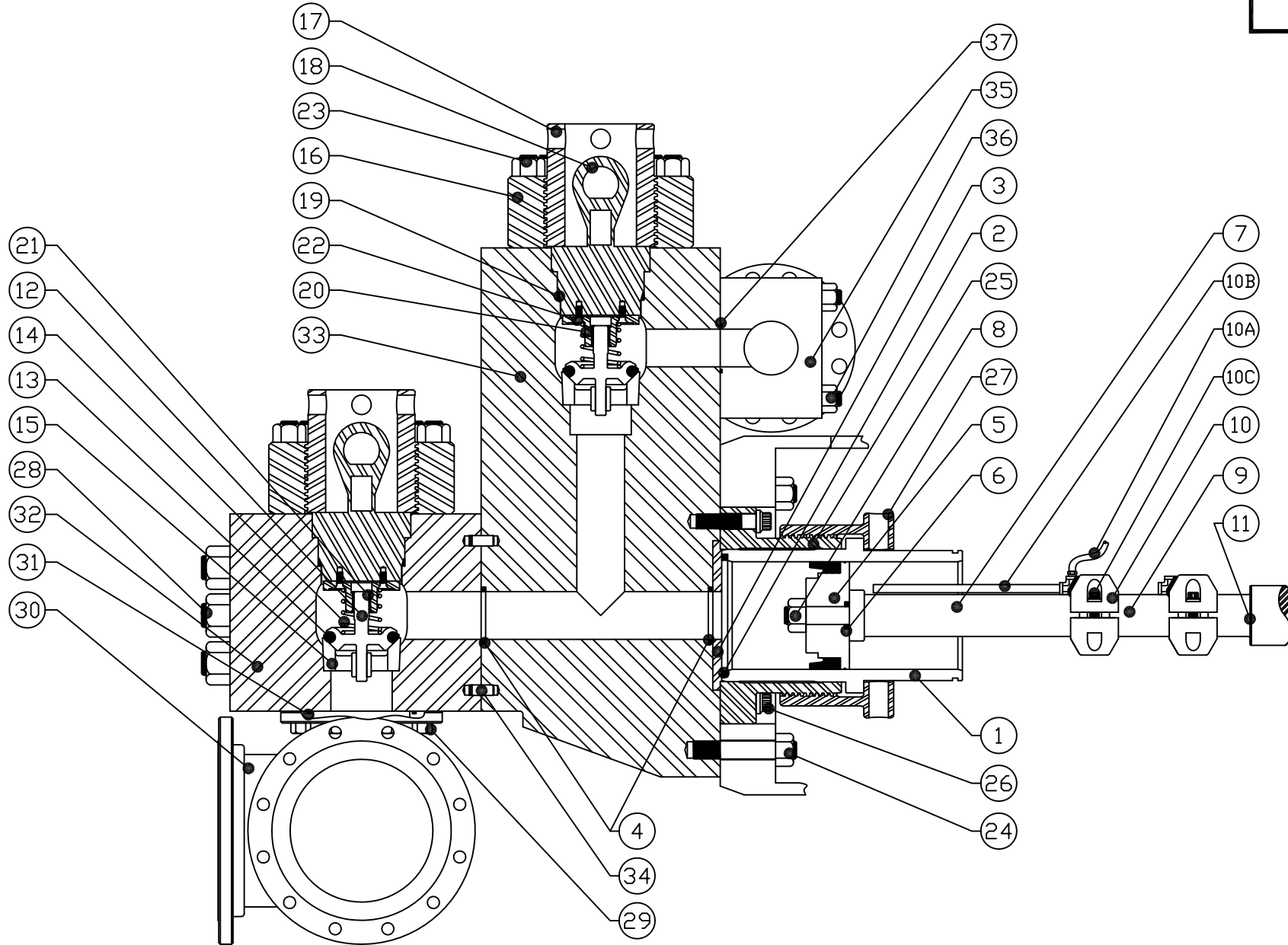
MUD PUMP PERFORMANCE CHART

PUMP MODEL	MAX I.H.P.	MAX S.P.M.	STROKE LENGTH	LINER SIZE IN INCHES											
				5	5 ½	6	6 ½	7	7 ½	8	8 ½	9			
E-2200	2200	110	15"	MAX-P.S.I.	7500	7038	5913	5039	4345	3785	3326	2947	2628		
				G.P.R.	3.825	4.628	5.508	6.464	7.497	8.606	9.792	11.054	12.393		
				G.P.M. @ 140 R.P.M.	421	509	606	711	825	947	1077	1216	1363		

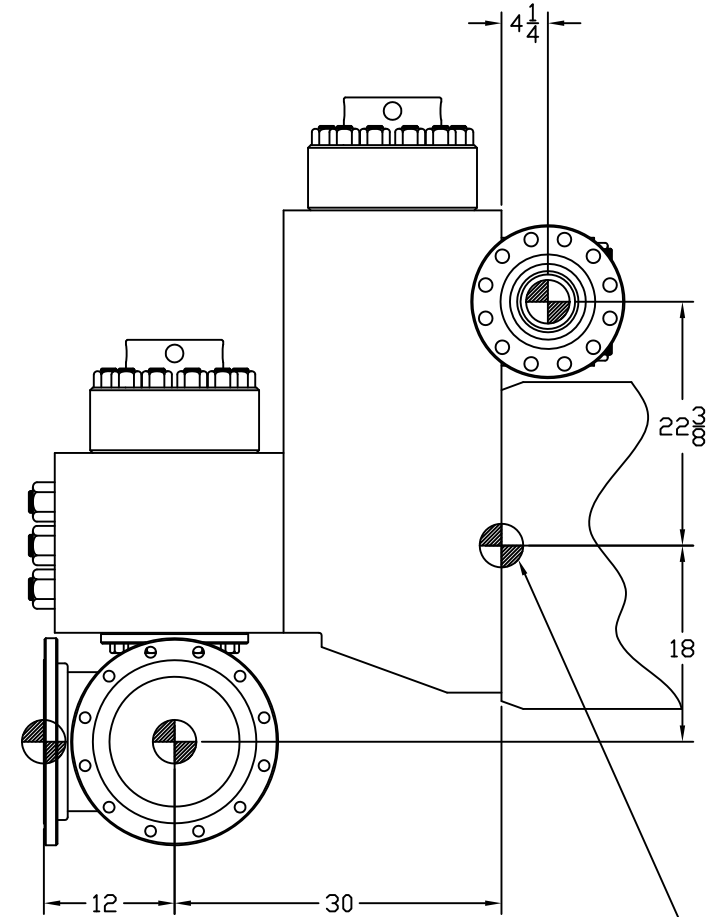
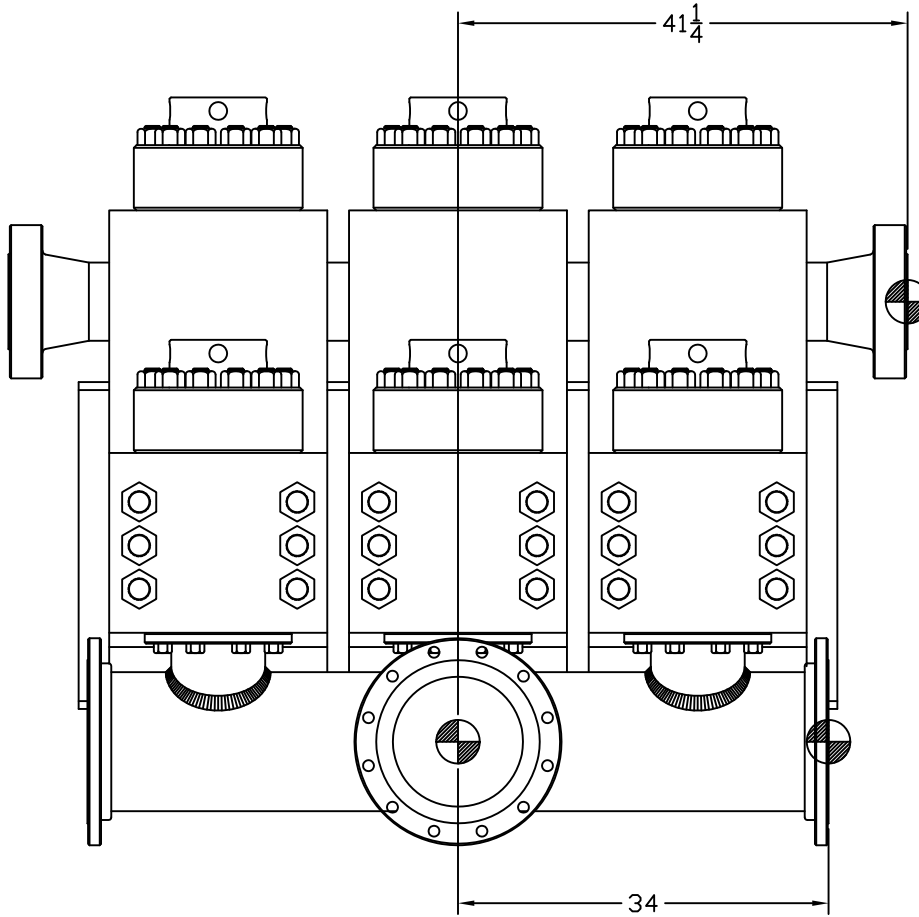
NOTE: I.H.P.= INPUT HORSE POWER S.P.M.= STROKE PER MINUTE P.S.I.= POUNDS PER SQUARE INCH G.P.R.= GALLONS PER REVOLUTION

*MAX – P.S.I. CALCULATIONS DO NOT EXCEED MAXIMUM FLUID END PRESSURE RATINGS

BASED ON 100% VOLUMETRIC EFFICIENCY AND 90% MECHANICAL EFFICIENCY



REV#	DATE	REVISED BY	REVISIONS . . .	UNLESS OTHERWISE NOTED . . .	SOUTHWEST® OILFIELD PRODUCTS, INC. -- HOUSTON, TX.					
				<ol style="list-style-type: none"> 1. ALL DIMENSIONS ARE IN INCHES. 2. ALL FRACTIONAL DIMENSIONS ARE ±1/64. 3. ALL DECIMAL DIMENSIONS ARE +.005/- .000. 4. ALL ANGLES ARE ±0.5°. 5. ALL FILLETS AND RADII ARE 1/16 MAX. 6. CHAMFERS ARE 1/16 x 45° MAX. 7. SURFACE FINISH IS 125√RMS MAX. 8. CONCENTRICITY NOT TO EXCEED .005 T.I.R. 9. BREAK CORNERS AT 1/32 x 45° MAX. 	PROPRIETARY INFORMATION--THE INFORMATION CONTAINED HEREIN SHALL BE CONSIDERED THE SOLE PROPERTY OF SOUTHWEST OILFIELD PRODUCTS, INC., AND THE RECIPIENT THEREOF AGREES TO MAINTAIN THE INFORMATION CONFIDENTIAL AND AGREES NOT TO COPY, REPRODUCE, DISTRIBUTE TO OTHERS, OR USE IN WHOLE OR IN PART FOR ANY PURPOSE WITHOUT THE EXPRESS WRITTEN PERMISSION OF SOUTHWEST OILFIELD PRODUCTS, INC.		DESCRIPTION ASSEMBLY FOR EWECO E-2200 TRIPLEX SOUTHWEST FLUID END	DRAWN DATE 04-29-08 NAME T. LEMAN HEAT TREATMENT	APPROVED DRAWING # 8432-A	SCALE NONE REVISION #
					FILE # ACAD\ASSEMBLY\8432-A	SHEET OF 1 1	MATERIAL N/A	N/A	N/A	REVISION #



LINER CENTERLINE AT PUMP FRAME FACE

LAYOUT SHOWS LOCATION OF CONNECTIONS USING ORIGINAL EQUIPMENT FOR DISCHARGE AND SUCTION MANIFOLD. SUCTION CONNECTIONS ARE 12" 150# ANSI. DISCHARGE CONNECTIONS ARE 5 1/8" 10,000 PSI API RING JOINT CONNECTIONS.

REV#	DATE	REVISED BY	REVISIONS . . .	UNLESS OTHERWISE NOTED . . .	SOUTHWEST® OILFIELD PRODUCTS, INC. -- HOUSTON, TX.					
				1. ALL DIMENSIONS ARE IN INCHES. 2. ALL FRACTIONAL DIMENSIONS ARE ±1/64. 3. ALL DECIMAL DIMENSIONS ARE +.005/- .000. 4. ALL ANGLES ARE ±0.5°. 5. ALL FILLETS AND RADII ARE 1/16 MAX. 6. CHAMFERS ARE 1/16 x 45° MAX. 7. SURFACE FINISH IS 125 √RMS MAX. 8. CONCENTRICITY NOT TO EXCEED .005 T.I.R. 9. BREAK CORNERS AT 1/32 x 45° MAX.	PROPRIETARY INFORMATION--THE INFORMATION CONTAINED HEREIN SHALL BE CONSIDERED THE SOLE PROPERTY OF SOUTHWEST OILFIELD PRODUCTS, INC., AND THE RECIPIENT THEREOF AGREES TO MAINTAIN THE INFORMATION CONFIDENTIAL AND AGREES NOT TO COPY, REPRODUCE, DISTRIBUTE TO OTHERS, OR USE IN WHOLE OR IN PART FOR ANY PURPOSE WITHOUT THE EXPRESS WRITTEN PERMISSION OF SOUTHWEST OILFIELD PRODUCTS, INC.		DESCRIPTION PIPING LAYOUT FOR EWECO E-2200 SOUTHWEST FLUID END	DRAWN DATE 04-23-08 NAME T. LEMAN HEAT TREATMENT	APPROVED DRAWING # 8432-APL	SCALE NONE REVISION #
					FILE # ACAD\PROJECTS\EWECO\E-2200\8432-APL	SHEET OF 1 1	MATERIAL N / A	N / A		

FLUID END TYPE	MODEL OF PUMP	SIZE OF PUMP
SOUTHWEST 7500 P.S.I.	EWECO E-2200	9" X 15"

ITEM NO.	PART NO.	DESCRIPTION	QTY. REQ'D
	8432-A	FLUID END ASSEMBLY: (CONSISTS OF ITEMS: 3,4,16,17,18,19,20,21,22,23,24,25,26,27,28,29,32,33,34,36,37,38)	
1	7320Y-XX	LINER (REFER TO GUIDE FOR ORDERING CHART FOR TYPE (G); (Y); AND FOR BORE SIZE (XX))	3
2	2930-XX	LINER SEAL	3
3	8432-3	LINER WEARPLATE	3
4	2988	WEARPLATE AND MODULE SEAL	6
5	XX-BYY	PISTON (REFER TO GUIDE FOR ORDERING CHART FOR SIZE (XX) AND FOR TYPE (YY))	3
6	568-225	PISTON SEAL	3
7		PISTON ROD (WITH ELASTIC STOP NUT)	3
8	API-4ESN	PISTON ROD NUT	3
9		SUB ROD	3
10		ROD CLAMP (WITH WATER JACKET)	6
10A		HOSE (1/2" X 30" WITH 1/2" MALE X 3/8" MALE CONNECTIONS)	3
10B		PIPE (1/2" NPT X 12" LONG GALVANIZED AND THREADED ON ONE END)	3
10C		BOLT (5/8-11 GRADE 8 BOLT WITH LOCK NUT AND WASHER)	12
11		PONY ROD	3
12	SEE PAGE	VALVE	6
13	SEE PAGE	VALVE INSERT	6
14	SEE PAGE	VALVE SPRING	6
15	SEE PAGE	VALVE SEAT	6
	SWTM1700	HYDRAULIC SEAT PULLER KIT COMPLETE (REFER TO TOOLS SECTION IN CATALOG)	1
16	4476	VALVE COVER FLANGE	6
17	4597	SCREW GLAND	6
18	4609-25A	PLUG (COMPLETE WITH VALVE GUIDE; BUSHING; AND SCREWS) INCLUDES ITEMS 19,20,21, & 22	6
19	P119	HP VALVE COVER PLUG NITRILE SEAL	6
20	4776R	VALVE GUIDE (COMPLETE WITH INSERT #4700I)	6
21	4700I	VALVE GUIDE INSERT	6
22	4016-98	VALVE GUIDE SCREW	12

FLUID END TYPE	MODEL OF PUMP	SIZE OF PUMP
SOUTHWEST 7500 P.S.I.	EWECO E-2200	9" X 15"

ITEM NO.	PART NO.	DESCRIPTION	QTY. REQ'D
23	4015-54	VALVE COVER STUD (WITH SW PART# HHN1500-6 1 1/2"-6 HEAVY HEX NUT)	72
24	4016-39	POWER END STUD (WITH SW PART# HHN1500-8 1 1/2"-8 HEAVY HEX NUT)	30
25	6432	LINER RETAINER FLANGE	3
26	4020-85	LINER RETAINER CAPSCREW	24
27	6532	LINER RETAINER NUT	3
28	4020-6	SUCTION MODULE STUD (WITH SW PART# HHN2000-8 2"-8 HEAVY HEX NUT)	18
29	4018-19	SUCTION MANIFOLD CAPSCREW	24
30		SUCTION MANIFOLD	1
31		SUCTION MANIFOLD SEAL	3
32	8432-2	SUCTION MODULE	3
33	8432-1	DISCHARGE MODULE	3
34	8488-5	DOWEL PIN	6
35		DISCHARGE MANIFOLD	1
36	4017-50C	DISCHARGE MANIFOLD STUD (WITH SW PART# HHN1250-8 1 1/4"-8 HEAVY HEX NUT)	18
37		DISCHARGE MANIFOLD SEAL	3
38	LW875	LOCKWASHER 7/8	24

**** POLYURETHANE SEALS AVAILABLE ****

SOUTHWEST 7500 P.S.I. EWECO E-2200 GUIDE TO ORDERING

PISTONS		LINERS			LINER SEALS		
SIZE	FAIL-SAFE	DUAL-DURO [®]	BLACK CAT	GRAYLOY [®]	ZIRCONIA	RUBBER	URETHANE
5"	81BFS	81BDD	81BBC	7320G1		2930-1	2930-1U
5 1/4"	82BFS	82BDD	82BBC			2930-2	2930-2U
5 1/2"	83BFS	83BDD	83BBC	7320G3	7320ZIR3	2930-3	2930-3U
5 3/4"	84BFS	84BDD	84BBC			2930-4	2930-4U
6"	85BFS	85BDD	85BBC	7320AG5	7320AZIR5	2930-5	2930-5U
6 1/4"	86BFS	86BDD	86BBC			2930-6	2930-6U
6 1/2"	87BFS	87BDD	87BBC	7320AG7	7320AZIR7	2930-7	2930-7U
6 3/4"	88BFS	88BDD	88BBC			2930-8	2930-8U
7"	89BFS	89BDD	89BBC	7320AG9	7320AZIR9	2930-9	2930-9U
7 1/4"	91BFS	91BDD	91BBC			2930-10	2930-10U
7 1/2"	92BFS	92BDD	92BBC	7320AG11		2930-11	2930-11U
7 3/4"						2930-12	2930-12U
8"	94BFS	94BDD		7320AG13		2930-13	2930-13U
8 1/4"							
8 1/2"							

NOTE: DUAL-DURO[®] AND GRAYLOY[®] ARE REGISTERED TRADEMARKS OF SOUTHWEST OILFIELD PRODUCTS, INC.

VALVES & SEATS (EWECO E-2200)

TYPE	VALVE	INSERT	SPRING	STAINLESS SPRING	SEAT	PULLER HEAD	PULLER HEAD STYLE
SOUTHWEST (Full Open)	777-8B	N/A	941	N/A	877-8	SWTM4250	SPLIT JAW
FULL OPEN-ROUGHNECK (Cast N Place Insert)	SWND-7V2	N/A	SW5710-115L	N/A	SWND-7S12	SWND-7PH SWTM40-SN	PANCAKE SPLIT JAW
FULL OPEN-ROUGHNECK (High Temp)	SWND-7V2HC	N/A	SW5710-115L	N/A	SWND-7S12	SWND-7PH SWTM40-SN	PANCAKE SPLIT JAW
FULL OPEN-ROUGHNECK (w/Replaceable Urethane Insert)	SWND-7V1	SWND-7I	SW5710-115L	N/A	SWND-7S12	SWND-7PH SWTM40-SN	PANCAKE SPLIT JAW
3 WEB DOUBLE ANGLE O-RING	SWR0500110	SWR0514275	SWR0513744	SWR0514790	SWR0514299	SWTM3-7T	3 J HOOK
3 WEB (High Temp)	SWR0520502	SWR0520501	SWR0513744	SWR0514790	SWR0514299	SWTM3-7T	
3 WEB STANDARD PLATE	SWR0505062	SWR0504893	SWR0513937	SWR0514423	SWR0514299	SWTM3-7T	
4 WEB	SWU5C-EEF	SWUDD-7B	SW5710-115	N/A	SW7DD-B12	SWTM4-7	4 J HOOK
4 WEB (High Temp)	SWU5C-EEFHT	SWUDD-7BHT	SW5710-115	N/A	SW7DD-B12	SWTM4-7	

PANCAKE



SPLIT JAW



3 J HOOK



4 J HOOK



**TORQUE SPECIFICATIONS FOR 8432A SOUTHWEST FLUID END ASSEMBLY
EWECO E-2200 TRIPLEX 7500 P.S.I.**

TORQUE TYPE (EXPRESSED IN FOOT-POUNDS)

<u>PART NUMBER</u>	<u>DESCRIPTION</u>	<u>COPPERCOTE</u>	<u>MOLY GREASE</u>	<u>DRY (NOT RECOMMENDED)</u>
API-4 ESN	PISTON ROD NUT	NO MORE FORCE THAN ONE MAN ON 3' WRENCH/CHEATER COMBINATION		
4016-98	VALVE GUIDE SCREW	150 MAXIMUM		
4015-54	VALVE COVER STUD	1208	1752	2417
4016-39	POWER END STUD	1397	2025	2794
4020-85	LINER RETAINER CAPSCREW	938	1406	1875
4020-6	SUCTION MODULE STUD	3463	5021	6925
4018-19	SUCTION MANIFOLD CAPSCREW	215	322	430
4017-50C	DISCHARGE MANIFOLD STUD	781	1133	1563



SOUTHWEST
OILFIELD PRODUCTS, INC.

**8432A FLUID END FOR EWECO E-2200
REVISION SUMMARY**

<u>REVISION</u>	<u>DATE</u>	<u>REASON OF CHANGE</u>
REV A	4/27/15	UPDATED/CHANGED PART NO.'S IN PISTON & LINER'S PAGE