



SOUTHWEST OILFIELD PRODUCTS, INC. MUD PUMP EXPENDABLE PARTS LIST

SOUTHWEST 8429-A FLUID END FOR BREWSTER B-1600-T / B-1300-T

®

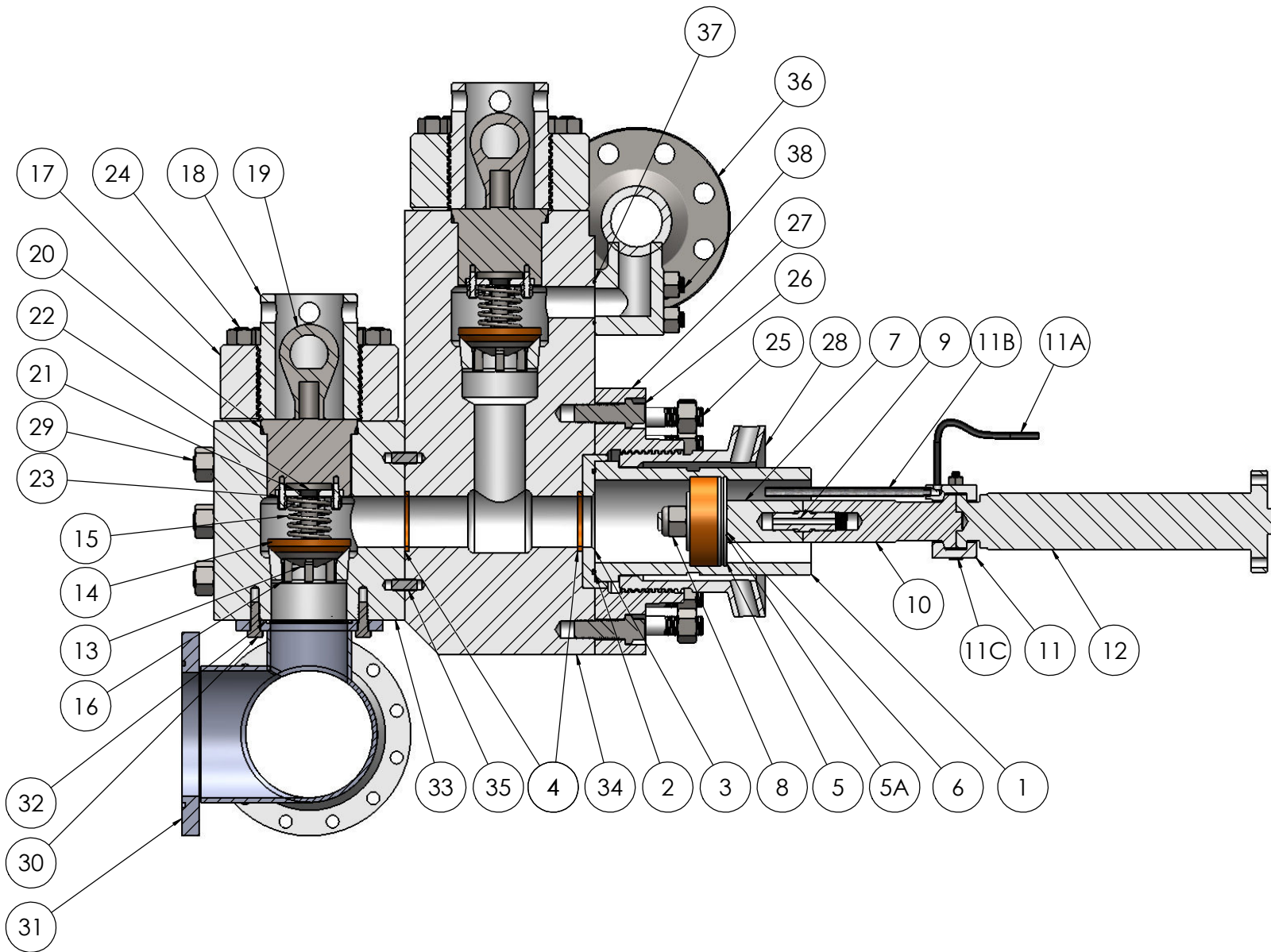
MUD PUMP PERFORMANCE CHART

PUMP MODEL	MAX I.H.P.	MAX S.P.M.	STROKE LENGTH													
				4"	4 1/2"	5"	5 1/4"	5 1/2"	5 3/4"	6"	6 1/4"	6 1/2"	6 3/4"	7"	7 1/4"	
B-1600-T	1600	120	12"	MAX-P.S.I.	5000	5000	5000	5000	5000	5000	4664	4299	3974	3688	3423	3195
				G.P.R.	1.96	2.48	3.06	3.37	3.70	4.05	4.41	4.78	5.17	5.58	6.00	6.43
				G.P.M. @ 120 R.P.M.	235	298	367	404	444	486	529	574	620	670	720	772
B-1300-T	1300	120	12"	MAX-P.S.I.	5000	5000	5000	4952	4512	4128	3790	3494	3230	2996	2785	2597
				G.P.R.	1.96	2.48	3.06	3.37	3.70	4.05	4.41	4.78	5.17	5.58	6.00	6.43
				G.P.M. @ 120 R.P.M.	235	298	367	404	444	486	529	574	620	670	720	772

NOTE: I.H.P.= INPUT HORSE POWER S.P.M.= STROKE PER MINUTE P.S.I.= POUNDS PER SQUARE INCH G.P.R.= GALLONS PER REVOLUTION

*MAX – P.S.I. CALCULATIONS DO NOT EXCEED MAXIMUM FLUID END PRESSURE RATINGS

BASED ON 100% VOLUMETRIC EFFICIENCY AND 90% MECHANICAL EFFICIENCY



	UNLESS OTHERWISE SPECIFIED:		DRAWN BY	DATE	SOUTHWEST OILFIELD PRODUCTS	
	DIMENSIONS ARE IN INCHES		BH	04/07/2015	10340 WALLISVILLE ROAD, HOUSTON, TX 77013	
	TOLERANCES:		CHECKED BY	DATE	TITLE:	
	FRACTIONAL: 1/64		EF	04/07/2015	FLUID END ASSEMBLY FOR BREWSTER B-1600T/B-1300T SWFE	
DECIMAL: +.005 / -.000		MATERIAL		SIZE		
ALL FILLETS & RADI - 1/16 MAX		N/A		DWG. NO.		
CHAMFERS 1/16 X 45° MAX		HEAT TREAT		REV.		
SURFACE FINISH 125 RMS MAX		N/A		C 8429-A catalog page		
CONCENTRICITY NOT TO EXCEED .005 T.I.R.				SHEET 1 OF 1		
BREAK SHARP CORNERS 1/32 X 45° MAX						

FLUID END TYPE	MODEL OF PUMP	SIZE OF PUMP
SOUTHWEST 5000 P.S.I.	BREWSTER B-1600-T / B-1300-T	7-1/2" X 12"

ITEM NO.	PART NO.	DESCRIPTION	QTY. REQ'D
	8429-A	FLUID END ASSEMBLY: (CONSISTS OF ITEMS: 3,4,17,18,19,20,21,22,23,24,25,26,27,28,29,30,33,34,35,37 & 38)	3
1	6313YXX	LINER (REFER TO GUIDE FOR ORDERING CHART FOR TYPE (G); (Y); AND FOR BORE SIZE (XX))	3
2	2975	LINER SEAL	3
3	8429-3	WEARPLATE	3
4	2988	WEARPLATE AND MODULE SEAL	6
5	XX-BYY	PISTON (REFER TO GUIDE FOR ORDERING CHART FOR SIZE (XX) AND FOR TYPE (YY))	3
5A	2932	PISTON BUSHING (FROM 1-5/8" TO 1-1/2" STRAIGHT BORE)	3
6	568-225	PISTON SEAL	3
7	1290-25	PISTON ROD (WITH ELASTIC STOP NUT)	3
8	API-4ESN	PISTON ROD NUT	3
9	1290-2	PISTON ROD CONNECTING STUD	3
10	6229-1	SUB ROD	3
11	6213CWS	ROD CLAMP (WITH WATER JACKET)(CONSIST OF 11A, 11B, 11C)	3
11A	1200H30	HOSE (1/2" X 30" WITH 1/2" MALE X 3/8" MALE CONNECTIONS)	3
11B	1200130	PIPE (3/8" X 13" GALVANIZED AND THREADED ON ONE END)	3
11C	4018-93	BOLT (5/8"X 6-1/2" GRADE 8 BOLT WITH LOCK NUT AND WASHER)	6
12	6200G13	PONY ROD (CLAMP TYPE)	3
13	SEE PAGE	VALVE	6
14	SEE PAGE	VALVE INSERT	6
15	SEE PAGE	VALVE SPRING	6
16	SEE PAGE	VALVE SEAT	6
	SWTM1700	HYDRAULIC SEAT PULLER KIT COMPLETE (REFER TO TOOLS SECTION IN CATALOG)	
	4475-2A	SOUTHWEST HP QUICK-CHANGE VALVE COVER ASSEMBLY: (CONSISTS OF ITEM NO. 17-24)	6
17	4475	THREADED FLANGE	6
18	4575	SCREW GLAND	6
19	4675-2A	PLUG (COMPLETE WITH VALVE GUIDE; BUSHING; AND SCREWS)	6
20	P129	HP VALVE COVER PLUG SEAL	6
21	4775-2R	VALVE GUIDE (COMPLETE WITH BUSHING #4700I)	6
22	4700I	VALVE GUIDE INSERT	6

FLUID END TYPE	MODEL OF PUMP	SIZE OF PUMP
SOUTHWEST 5000 P.S.I.	BREWSTER B-1600-T / B-1300-T	7-1/2" X 12"

ITEM NO.	PART NO.	DESCRIPTION	QTY. REQ'D
23	4016-99	VALVE GUIDE SCREW	12
24	4015-2	VALVE COVER STUD (WITH SW PART# HHN1250-7 1-1/4-7 HEAVY HEX NUT)	72
25	4015-88	POWER END STUD (WITH SW PART# HHN1500-6 1-1/2"-6 (HEAVY HEX NUT)	24
26	4018-28	LINER RETAINER FLANGE SOCKET HEAD CAP SCREW	18
27	6429	LINER RETAINER FLANGE	3
28	6529	LINER RETAINER NUT	3
29	4016-97	SUCTION MODULE STUD (WITH SW PART# HHN1500-8 1-1/2"-8 HEAVY HEX NUT)	18
30	4017-77	SUCTION MANIFOLD CAP SCREW (WITH LOCK WASHER)	18
31	8529A	SUCTION MANIFOLD (FRONT OR SIDE INLET)	1
32	2971-6	SUCTION MANIFOLD SEAL (568-438 "O" RING OPTIONAL)	3
33	8429-2S	SUCTION MODULE (STUDED ONLY)	3
34	8429-1D	DISCHARGE MODULE (STUDED ONLY)	3
35	8488-5	DOWEL PIN	6
36	8329A	DISCHARGE MANIFOLD	1
37	568-337	DISCHARGE MANIFOLD SEAL	3
38	4016-61	DISCHARGE MANIFOLD STUD (WITH SW PART# HHN1250-7 1-1/4"-7 HEAVY HEX NUT)	12
		** POLYURETHANE SEALS AVAILABLE **	

SOUTHWEST 5000 PSI B-1600-T / B-1300-T GUIDE TO ORDERING

PISTONS				LINERS		LINER SEALS	
SIZE	FAIL-SAFE	DUAL-DURO®	BLACK CAT	GRAYLOY®	ZIRCONIA	RUBBER	URETHANE
4"	76BFS	76BDD	76BBC	6313G06	6313ZIR06	2975	2975U
4 1/4"	77BFS	77BDD	77BBC	6313G07		2975	2975U
4 1/2"	78BFS	78BDD	78BBC	6313G08	6313ZIR08	2975	2975U
4 3/4"	79BFS	79BDD	79BBC	6313G09		2975	2975U
5"	81BFS	81BDD	81BBC	6313G1	6313ZIR1	2975	2975U
5 1/4"	82BFS	82BDD	82BBC	6313G2		2975	2975U
5 1/2"	83BFS	83BDD	83BBC	6313G3	6313ZIR3	2975	2975U
5 3/4"	84BFS	84BDD	84BBC	6313G4		2975	2975U
6"	85BFS	85BDD	85BBC	6313G5	6313ZIR5	2975	2975U
6 1/4"	86BFS	86BDD	86BBC	6313G6		2975	2975U
6 1/2"	87BFS	87BDD	87BBC	6313G7	6313ZIR7	2975	2975U
6 3/4"	88BFS	88BDD	88BBC	6313G8		2975	2975U
7"	89BFS	89BDD	89BBC	N/A	6313ZIR9	2975	2975U
7 1/4"	91BFS	91BDD	91BBC	N/A			

NOTE: DUAL-DURO® AND GRAYLOY® ARE REGISTERED TRADEMARKS OF SOUTHWEST® OILFIELD PRODUCTS.

VALVES & SEATS (BREWSTER B-1600-T/B-1300-T)

TYPE	VALVE	INSERT	SPRING	STAINLESS SPRING	SEAT	PULLER HEAD	PULLER HEAD STYLE
SOUTHWEST (Full Open)	777-8B	N/A	941	N/A	877-7	SWTM4250	SPLIT JAW
FULL OPEN-ROUGHNECK	SWND-7V2	N/A	SW5710-115L	N/A	SWND-7S1	SWTM40-SN SWND-7PH	SPLIT JAW PANCAKE
FULL OPEN-ROUGHNECK (High Temp)	SWND-7V2HC	N/A	SW5710-115L	N/A	SWND-7S1	SWTM40-SN SWND-7PH	SPLIT JAW PANCAKE
FULL OPEN-ROUGHNECK (w/Replaceable Urethane Insert)	SWND-7V1	SWND-7I	SW5710-115L	N/A	SWND-7S1	SWTM40-SN SWND-7PH	SPLIT JAW PANCAKE
3 WEB DOUBLE ANGLE O-RING	SWR0500110	SWR0514275	SWR0513744	SWR0514790	SWR0509309	SWTM3-7T	3 J HOOK
3 WEB (High Temp)	SWR0520502	SWR0520501	SWR0513744	SWR0514790	SWR0509309	SWTM3-7T	
3 WEB STANDARD PLATE	SWR0505062	SWR0504893	SWR0513937	SWR0514423	SWR0509309	SWTM3-7T	
4 WEB	SWU5C-EEF	SWUDD-7B	SW5710-110	N/A	SW7DD-B1	SWTM4-7	4 J HOOK
4 WEB (High Temp)	SWU5C-EEFHT	SWUDD-7BHT	SW5710-110	N/A	SW7DD-B1	SWTM4-7	

PANCAKE



SPLIT JAW



3 J HOOK



4 J HOOK



**TORQUE SPECIFICATIONS FOR 8429-A SOUTHWEST FLUID END ASSEMBLY
FOR BREWSTER B-1600-T / B-1300-T 5000 P.S.I.**

<u>PART NUMBER</u>	<u>DESCRIPTION</u>	<u>TORQUE TYPE (EXPRESSED IN FOOT-POUNDS)</u>		
		<u>COPPERCOTE</u>	<u>MOLY GREASE</u>	<u>DRY (NOT RECOMMENDED)</u>
API-4 ESN	PISTON ROD NUT	NO MORE FORCE THAN ONE MAN ON 3' WRENCH/CHEATER COMBINATION		
4018-93	ROD CLAMP BOLT	150 MAXIMUM		
4015-2	VALVE COVER STUD	669	970	1338
4015-88	POWER END STUD	1178	1708	2357
4018-28	LINER RETAINER FLANGE SOCKET HEAD CAPSCREW	1586	2379	3173
4016-97	SUCTION MODULE STUD	1397	2025	2794
4017-77	SUCTION MANIFOLD CAPSCREW	188	282	376
4016-61	DISCHARGE MANIFOLD STUD	757	1098	1514



SOUTHWEST
OILFIELD PRODUCTS, INC.

8429-A Brewster B-1600-T/B-1300-T REVISION SUMMARY

<u>REVISION</u>	<u>DATE</u>	<u>REASON OF CHANGE</u>
REV. A	4/09/15	UPDATED FLUID END ASSEMBLY DRAWING