



# SOUTHWEST OILFIELD PRODUCTS, INC. MUD PUMP EXPENDABLE PARTS LIST

## SOUTHWEST 8429-7A FLUID END FOR BREWSTER B-1100-T / B-1000-T

®

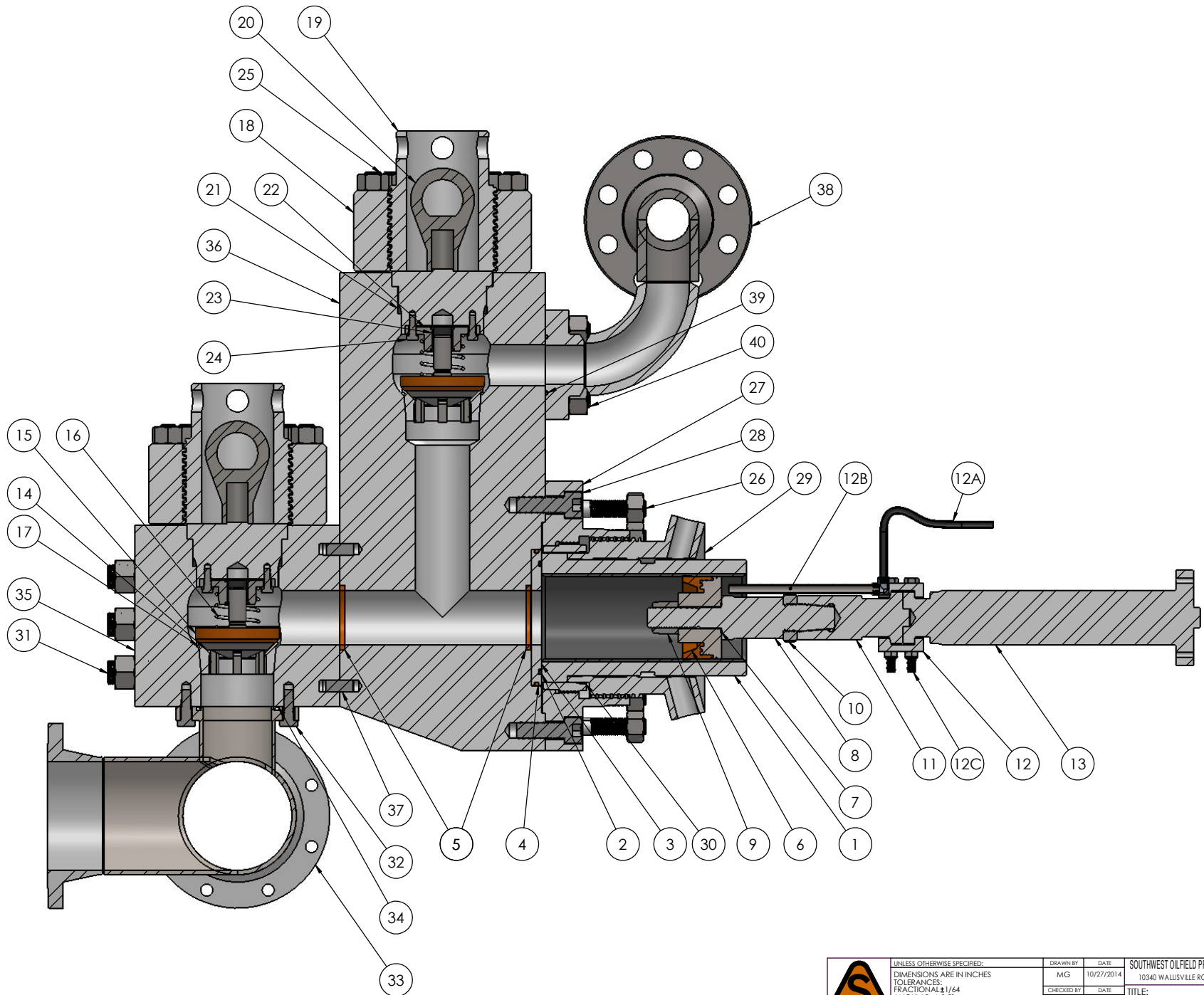
### MUD PUMP PERFORMANCE CHART


PUMP MODEL	MAX I.H.P.	MAX S.P.M.	STROKE LENGTH													
				4"	4 1/2"	5"	5 1/4"	5 1/2"	5 3/4"	6"	6 1/4"	6 1/2"	6 3/4"	7"		
B-1100-T	1100	140	10"	MAX-P.S.I.	5000	5000	4753	4309	3928	3592	3300	3041	2812	2607	2425	
				G.P.R.	1.63	2.07	2.55	2.81	3.09	3.37	3.67	3.98	4.31	4.65	5.00	
				G.P.M. @ 120 R.P.M.	196	248	306	337	371	404	440	478	517	558	600	
B-1000-T	1000	130	10"	MAX-P.S.I.	5000	5000	4660	4221	3846	3519	3233	2978	2754	2553	2372	
				G.P.R.	1.63	2.07	2.55	2.81	3.09	3.37	3.67	3.98	4.31	4.65	5.00	
				G.P.M. @ 120 R.P.M.	196	248	306	337	371	404	440	478	517	558	600	

NOTE: I.H.P.= INPUT HORSE POWER    S.P.M.= STROKE PER MINUTE    P.S.I.= POUNDS PER SQUARE INCH    G.P.R.= GALLONS PER REVOLUTION

\*MAX – P.S.I. CALCULATIONS DO NOT EXCEED MAXIMUM FLUID END PRESSURE RATINGS

BASED ON 100% VOLUMETRIC EFFICIENCY AND 90% MECHANICAL EFFICIENCY



 THIRD ANGLE PROJECTION	UNLESS OTHERWISE SPECIFIED: DIMENSIONS ARE IN INCHES TOLERANCES: FRACTIONAL ± 1/64 ANGULAR: ± 0.5° DECIMAL: + .005 / -.000 ALL FILLETS & RADI: - 1/16 MAX CHAMFERS 1/16 X 45° MAX SURFACE FINISH 125 RMS MAX CONCENTRICITY NOT TO EXCEED .005 T.I.R. BREAK SHARP CORNERS 1/32 X 45° MAX	DRAWN BY: MG DATE: 10/27/2014	SOUTHWEST OILFIELD PRODUCTS 10340 WALLISVILLE ROAD, HOUSTON, TX 77013
	CHECKED BY: BH DATE: 10/27/2014	TITLE: COMPLETE SWFE FOR BREWSTER B-1100T & B-1000T	SIZE: C DWG. NO.: 8429-7A
MATERIAL: N/A HEAT TREAT: N/A			

FLUID END TYPE	MODEL OF PUMP	SIZE OF PUMP
<b>SOUTHWEST 5000 P.S.I.</b>	<b>BREWSTER B-1100-T / B-1000-T</b>	<b>7" X 10"</b>

ITEM NO.	PART NO.	DESCRIPTION	QTY. REQ'D
	8429-7A	FLUID END ASSEMBLY: (CONSISTS OF ITEMS: 3,4,5,18,19,20,21,22,23,24,25,26,27,28,29,30,31,32,35,36,37 & 40)	3
1	6330YXX	LINER (REFER TO- GUIDE FOR ORDERING CHART FOR TYPE (G); (Y); AND FOR BORE SIZE (XX))	3
2	2975	LINER SEAL	3
3	8429-11	LINER WEARPLATE	3
4	568-448	LINER WEARPLATE 'O' RING	3
5	2988	WEARPLATE AND MODULE SEAL	6
6	XX-BYY	PISTON (REFER TO- GUIDE FOR ORDERING CHART FOR SIZE (XX) AND FOR TYPE (YY))	3
7	568-225	PISTON SEAL	3
8	6289-25	PISTON ROD (WITH ELASTIC STOP NUT)	3
9	API-4ESN	PISTON ROD NUT	3
10	6288-3	JAM NUT	3
11	6230-7	SUB ROD	3
12	6230CW	ROD CLAMP (WITH WATER JACKET)(CONSIST OF 12A, 12B, 12C)	3
12A	1200H30	HOSE (1/2" X 30" WITH 1/2" MALE X 3/8" MALE CONNECTIONS)	3
12B	1200130	PIPE (3/8" X 10" GALVANIZED AND THREADED ON ONE END)	3
12C	4018-93	BOLT (5/8-11 GRADE 8 BOLT WITH LOCK NUT AND WASHER)	12
13	6200G30	PONY ROD (CLAMP TYPE)	3
14	SEE PAGE	VALVE	6
15	SEE PAGE	VALVE INSERT	6
16	SEE PAGE	VALVE SPRING	6
17	SEE PAGE	VALVE SEAT	6
	SWTM1700	HYDRAULIC SEAT PULLER KIT COMPLETE (REFER TO TOOLS SECTION IN CATALOG)	1
18	4488-25	VALVE COVER FLANGE	6
19	4588-25	SCREW GLAND	6
20	4688-25	PLUG (COMPLETE WITH VALVE GUIDE; BUSHING; AND SCREWS) INCLUDES ITEMS 22, 23, & 24	6
21	P115	HP VALVE COVER PLUG SEAL	6
22	4788-25R	VALVE GUIDE (COMPLETE WITH BUSHING #4700I)	6
23	4700I	VALVE GUIDE INSERT	6
24	4018-18	VALVE GUIDE SCREW	12
25	4015-2	VALVE COVER STUD (WITH SW PART# HHN1250-7 1 1/4-7 HEAVY HEX NUT)	72

FLUID END TYPE	MODEL OF PUMP	SIZE OF PUMP
<b>SOUTHWEST 5000 P.S.I.</b>	<b>BREWSTER B-1100-T / B-1000-T</b>	<b>7" X 10"</b>

ITEM NO.	PART NO.	DESCRIPTION	QTY. REQ'D
26	4019-49	POWER END STUD (WITH SW PART# HHN1250-7 1 1/4-7 HEAVY HEX NUT)	24
27	6429-7	LINER RETAINER FLANGE	3
28	4018-88	LINER RETAINER SOCKET HEAD CAP SCREW	18
29	6529-7	LINER RETAINER NUT	3
30	6429-7-3	WEARPLATE RETAINER	3
31	4019-48	SUCTION MODULE STUD (WITH SW PART# HHN1750-8 1 3/4-8 HEAVY HEX NUT)	18
32	4017-77	SUCTION MANIFOLD CAP SCREW	18
33	8529-9	SUCTION MANIFOLD	1
34	568-433	SUCTION MANIFOLD 'O' RING	3
35	8429-10	SUCTION MODULE	3
36	8429-9	DISCHARGE MODULE	3
37	8488-5	DOWEL PIN	6
38	8329-7	DISCHARGE MANIFOLD	1
39	568-345	DISCHARGE MANIFOLD 'O' RING	3
40	4016-48	DISCHARGE MANIFOLD STUD (WITH SW PART# HHN1375-6 1 3/8-6 HEAVY HEX NUT)	12
41	9070253	PONY ROD SEAL	
42	9060023	SPLASH GUARD	
		<b>** POLYURETHANE SEAL AVAILABLE **</b>	

# SOUTHWEST 5000 PSI BREWSTER B-1100-T/B-1000-T GUIDE TO ORDERING

PISTONS				LINERS		LINER SEALS	
SIZE	FAIL-SAFE	DUAL-DURO®	BLACK CAT	GRAYLOY®	ZIRCONIA	RUBBER	URETHANE
4"	76BFS	76BDD	76BBC	6330G06	6330ZIR06	2975	2975U
4 1/4"	77BFS	77BDD	77BBC	6330G07		2975	2975U
4 1/2"	78BFS	78BDD	78BBC	6330G08	6330ZIR08	2975	2975U
4 3/4"	79BFS	79BDD	79BBC	6330G09		2975	2975U
5"	81BFS	81BDD	81BBC	6330G1	6330ZIR1	2975	2975U
5 1/4"	82BFS	82BDD	82BBC	6330G2		2975	2975U
5 1/2"	83BFS	83BDD	83BBC	6330G3	6330ZIR3	2975	2975U
5 3/4"	84BFS	84BDD	84BBC	6330G4		2975	2975U
6"	85BFS	85BDD	85BBC	6330G5	6330ZIR5	2975	2975U
6 1/4"	86BFS	86BDD	86BBC	6330G6		2975	2975U
6 1/2"	87BFS	87BDD	87BBC	6330G7	6330ZIR7	2975	2975U
6 3/4"	88BFS	88BDD	88BBC	6330G8		2975	2975U
7"	89BFS	89BDD	89BBC	6330G9	6330ZIR9	2975	2975U

**NOTE: DUAL-DURO® AND GRAYLOY® ARE REGISTERED TRADEMARKS OF SOUTHWEST® OILFIELD PRODUCTS.**

## VALVES & SEATS (BREWSTER B-1100-T B-1000-T)

TYPE	VALVE	INSERT	SPRING	STAINLESS SPRING	SEAT	PULLER HEAD	PULLER HEAD STYLE
SOUTHWEST (Full Open)	773-1B	N/A	SW5710-110L	N/A	873-2	SWTM3750	SPLIT JAW
FULL OPEN-ROUGHNECK (Cast N Place Insert)	SWND-6V2	N/A	SW5710-115	N/A	SWND-6S6	SWND-6PH SWTM27SXN	PANCAKE SPLIT JAW
FULL OPEN-ROUGHNECK (High Temp)	SWND-6V2HC	N/A	SW5710-115	N/A	SWND-6S6	SWND-6PH SWTM27SXN	PANCAKE SPLIT JAW
FULL OPEN-ROUGHNECK (w/Replaceable Urethane Insert)	SWND-6V1	SWND-6I	SW5710-115	N/A	SWND-6S6	SWND-6PH SWTM27SXN	PANCAKE SPLIT JAW
3 WEB DOUBLE ANGLE O-RING	SWR0500118	SWR0515844	SWR0513744	SWR0514790	SWR0504818	SWTM3-6	3 J HOOK
3 WEB (High Temp)	SWR0521487	N/A	SWR0513744	SWR0514790	SWR0504818	SWTM3-6	
3 WEB STANDARD PLATE	SWR0505012	SWR0504888	SWR0513937	SWR0514423	SWR0504818	SWTM3-6	
4 WEB	SWU5B-EH	SWUDD-6AB	SW5710-111	N/A	SW6ADD-B6	SWTM4-6	4 J HOOK
4 WEB (High Temp)	SWU5B-EHHT	SWUDD-6ABHT	SW5710-111	N/A	SW6ADD-B6	SWTM4-6	

PANCAKE



SPLIT JAW



3 J HOOK



4 J HOOK



**TORQUE SPECIFICATIONS FOR 8429-7A SOUTHWEST FLUID END ASSEMBLY  
FOR BREWSTER B-1100-T / B-1000-T 5000 P.S.I.**

<u>PART NUMBER</u>	<u>DESCRIPTION</u>	<u>TORQUE TYPE (EXPRESSED IN FOOT-POUNDS)</u>		
		<u>COPPERCOTE</u>	<u>MOLY GREASE</u>	<u>DRY (NOT RECOMMENDED)</u>
API-4 ESN	PISTON ROD NUT	NO MORE FORCE THAN ONE MAN ON 3' WRENCH/CHEATER COMBINATION		
4018-93	ROD CLAMP BOLT	150 MAXIMUM		
4015-2	VALVE COVER STUD	669	970	1338
4019-49	POWER END STUD	757	1098	1514
4018-88	LINER RETAINER SOCKET HEAD CAPSCREW	53	80	107
4019-48	SUCTION MODULE STUD	2275	3299	4550
4017-77	SUCTION MANIFOLD CAPSCREW	188	282	376
4016-48	DISCHARGE MANIFOLD STUD	997	1445	1994



**SOUTHWEST**  
OILFIELD PRODUCTS, INC.

## 8429-7A Brewster B-1100-T/B-1000-T REVISION SUMMARY

<u>REVISION</u>	<u>DATE</u>	<u>REASON OF CHANGE</u>
REV A	10-27-14	UPDATED ASSEMBLY DRAWING 8429-7A