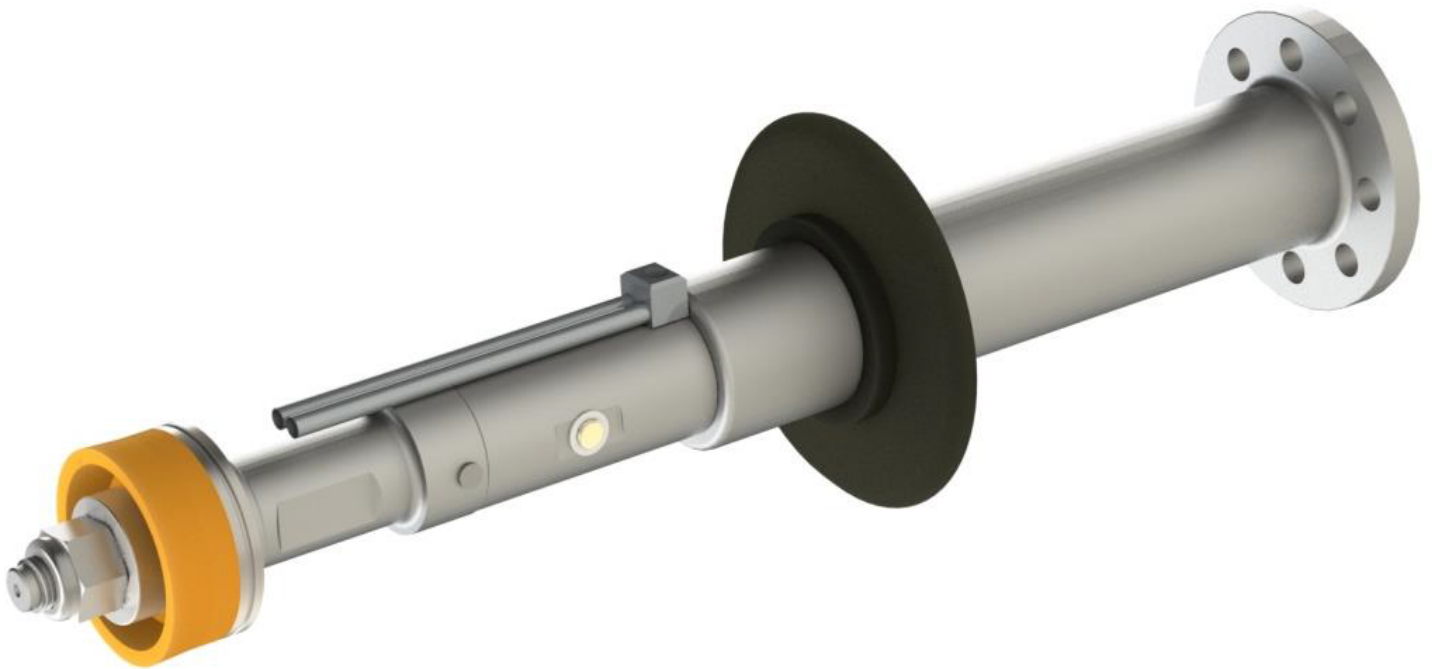


PROVEN PERFORMANCE, UNMATCHED DURABILITY.

The Southwest Quick Change Piston Rod System (QCPR) is a piston rod system designed for triplex pumps that allows a motor man to break down a piston rod in a matter of minutes without any special tools; only a standard box end wrench is required to both disassemble and make up the piston rod to the pony rod.



Design Benefits Include:

- No hydraulic system is required.
- Only a quarter turn is required to lock and unlock the QCPR rod lock.
- The QCPR rod lock is impossible to over-torque.
- The QCPR rod lock is interchangeable with other rod clamp replacement systems.