

1911-1TC WASHPIPE DATA SHEET

STYLE

- Washpipe with tungsten carbide coating

SCOPE

- Washpipe is coated with tungsten carbide for maximum abrasion resistance.

MATERIAL

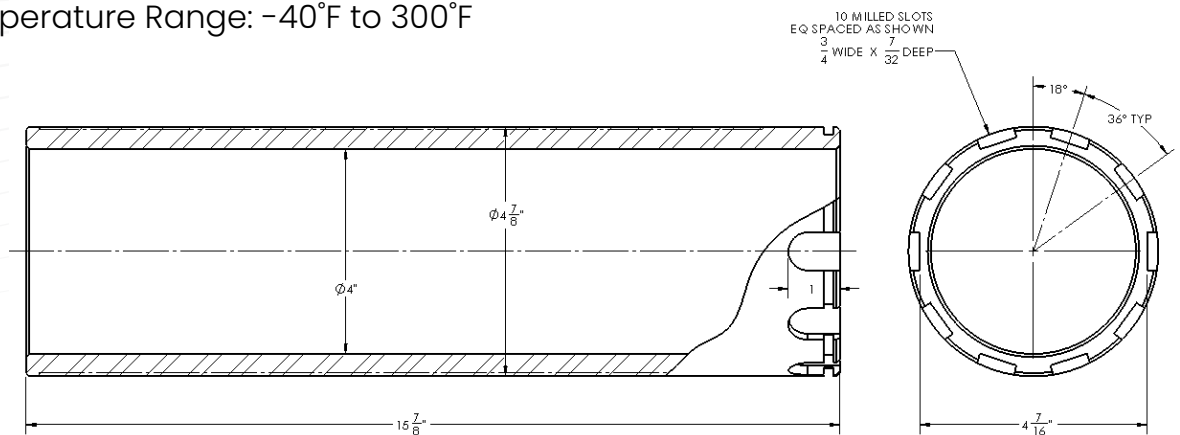
- Washpipe is manufactured with carbon steel substrate and spray fused with tungsten carbide.

APPLICATIONS

- Typical applications include top drives and swivels on land and ocean rigs.

PROPERTIES

- Maximum Pressure: 7,500 PSI
- Abrasion & Tear Strength: Excellent
- Surface Hardness: 68-72 HRC
- Operating Temperature Range: -40°F to 300°F



REVISION 1, 9-30-2020